

## VISULEX Camera K15-P-E/K15-N-E, Stainless Steel

### • Camera with fixed lens K15-P-E/K15-N-E:

The lens of this basic standard camera is focused during the installation process on the object to be monitored (external facilities/outdoor areas or technical process elements such as e. g. boilers or agitators).

### • Design and application:

- Stainless steel housing with built-in colour CCD camera, 1/3" CCD sensor, 1 lux photosensitivity; including 2-wire transmitter, electronics, stainless steel hinge as mounting bracket
- Type of protection IP 65
- Operating conditions: Ambient temperature +5° C to +40° C

### • Lens with angle of view: 28°-120°

Minimum lens-to-object distance: 80 mm  
(see order info on reverse)

### • Electrical connection:

- Link-up is established via control wire to the control unit (camera rack and camera control module, to be ordered separately).  
A module is inserted into the camera rack for each camera. In addition to single racks, we also offer racks that take modules for up to 6 cameras.
- Voltage: 24 V DC (supplied by the control unit)
- Power input: up to 20 W
- 2-wire transmission

### • Control wire:

- 6-core cable (3 twisted pairs)
- Length: up to approx. 500 m (between camera and control unit)
- Control lead 3P x AWG 20 C

### • Weight: 0.8 kg excluding control wire

### • Installation:

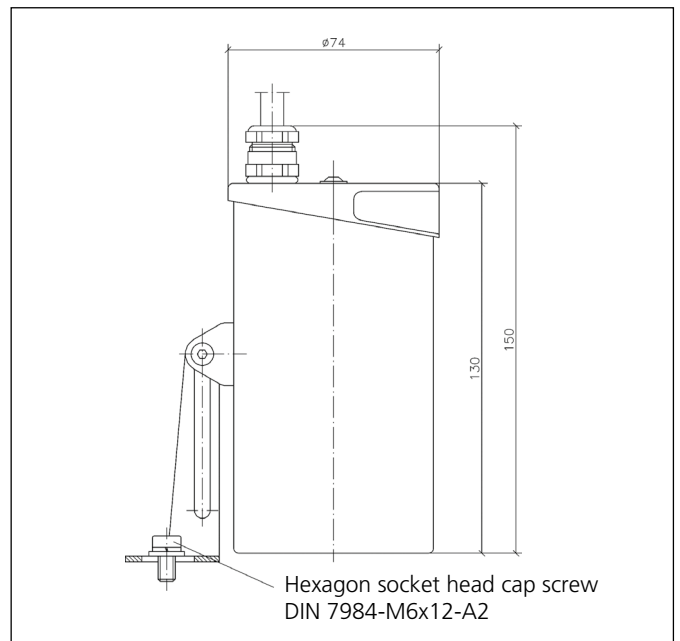
- The camera is mounted on the cover flange of a round sight glass fitting (DIN 28120 or similar) using the stainless steel bracket included in the scope of supply (hinge in grade 1.4301). The installation method is the same as that implemented for internationally approved Lumistar luminaires.
- If there is insufficient natural light in the vessel, a supplementary appropriately dimensioned Lumiglas luminaire can be installed.
- A separate arrangement of lighting glass and camera glass is a further option to be considered. This depends on the engineering process and the size of the reactor as well as on the surface of the vessel, the medium in question, and the angle of incidence.
- Consistently uniform illumination is essential.

CE

3755.428 c



VISULEX Camera K15-P-E with fixed lens



Dimensions



Single-camera rack



6-camera rack with  
camera control modules

• **Dimensions and technical data for VISULEX Camera K15-P-E/K15-N-E:**

Camera	K15-P-E (PAL)	K15-N-E (NTSC)
Camera standard	CCIR (Europe)	EIA (USA)
Image sensor	1/3"-CCD	1/3"-CCD
Pixels	approx. 440,000	approx. 380,000
Light sensitivity	1 lux	1 lux
Resolution	480 lines (horizontal)	480 lines (horizontal)
Electronic shutter speeds	automatic, 1/1-1/10,000	automatic, 1/1-1/10,000
S/N ratio	>48 dB	>48 dB
Aperture control	automatic	automatic
Colour system	PAL 752 x 582	NTSC 768 x 492

Control unit (rack and module)	single-camera rack	6-camera rack
Power input	max. 15 W	Base load 5 W; the consumption increases by 15 W per module (max. 95 W)
Fuse protection (due to starting current)	1.6 A	6.3 A
Dimensions mm (H x W x D)	160 x 180 x 300	160 x 470 x 300

• **Order data:**

Item	Angle of view	Part No.
1	120°	4502.021.00
2	90°	4502.018.00
3	78°	4502.022.00
4	60°	4502.019.00
5	54°	4502.023.00
6	39°	4502.020.00
7	28°	4502.024.00

Item	Part	Part No.
1	Single-camera rack	1590.032.00
2	6-camera rack	1590.033.00
3	Camera control module	1123.009.00
4	Control wire	3465.000027

**For example:**

- VISULEX Camera K15-P-E  
 - angle of view, see table  
 - 370 m control wire (please state wire length in full metres)  
 - single-rack or 6-camera rack, see table  
 - camera control module, part-no. 1123.009.00  
 If supplementary cameras are to be added at a later date,  
 we recommend the 6-module rack.