

VISULEX Ex-Camera K06A-Ex



II 2G Ex de IIC T6 Gb
II 2D Ex tb IIIC T80°C Db

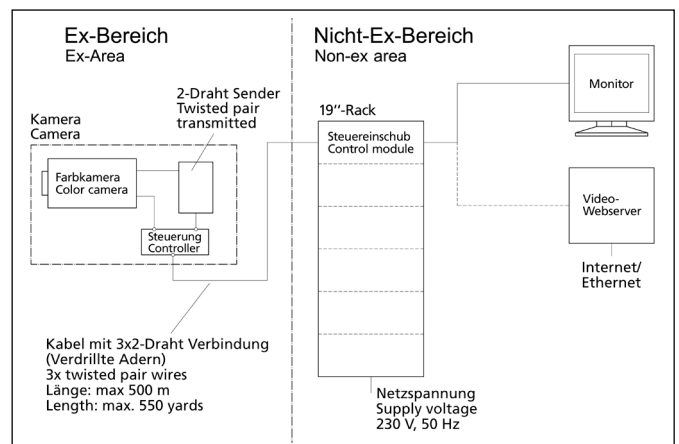
- **Camera with fixed lens K06A-Ex:**
During the installation process, the fixed lens of this standard camera is preset to focus on the object to be monitored (outdoor area/outdoor facility, or technical process components such as pressure vessels or agitators).
- **Design and applications:**
 - Pressure-resistant aluminium body with built-in colour CCD camera, 1/3" CCD sensor, 1 lux light sensitivity; a 2-wire transmitter with electronics, and aluminium mounting bracket are included
 - Approved for use in Ex zones 1 and 2 as well as zones 21 and 22
 - Type of protection: IP 65
- **Ambient temperatures:** between +5°C and +40°C
- **EC type examination certificate:** BVS 08 ATEX E 132
 II 2G Ex de IIC T6 Gb
 II 2D Ex tb IIIC T80°C Db
- **Ignition protection type:** Ex de
- **Explosion groups:** IIC (includes IIA and IIB)
IIIC (includes IIIA and IIIB)
- **Lens with viewing angle:** 28°-120°
Minimum lens-to-object distance: 80 mm (see order data overleaf)
- **Electrical connection:**
 - Link-up is established via control line to the **control unit** (camera rack with camera control module) which should be ordered separately. For each camera, a camera control module is required which is inserted into the rack. Besides single racks, we also offer racks for up to 6 camera control modules.
 - **Camera:** supply voltage: 24 V DC (supplied by the control unit), Rated power: up to 20 W, 2-wire transmission
- **Control line:**
 - 6-core cable (3 twisted pairs)
 - Length: up to approx. 500 m (between camera and control unit)
 - Control line 3P x AWG 20 C
- **Weight:** 1.7 kg without control line

CE 0158

3755.376 d



VISULEX Ex-Camera K06A-Ex with fixed lens



Single-camera rack



6-camera rack
equipped with three camera modules

• **Simple installation with special bracket for practical use:**

The camera is mounted on the cover flange of the circular sight glass fitting or flow sight glass using the hinged bracket. In the case of the screw-type sight glass fitting, it is attached to the slotted cover nut.

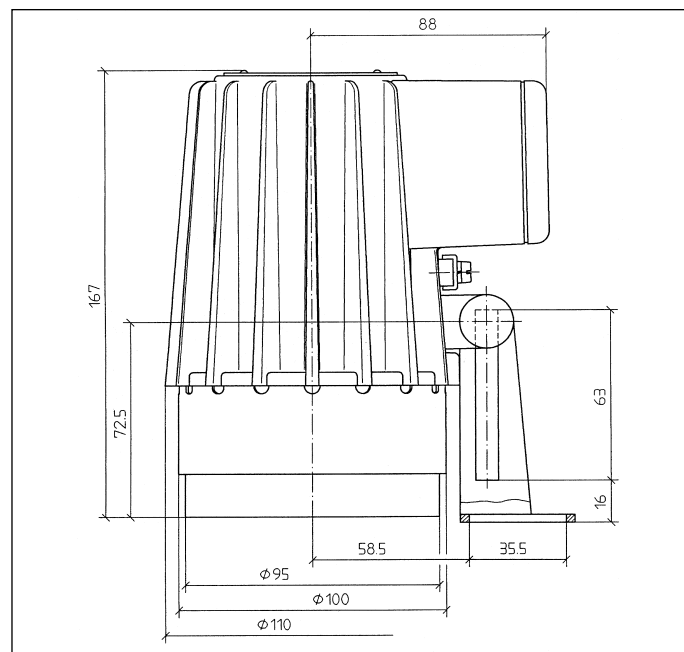
• **Illumination:**

- If there is not sufficient natural light in the vessel, an appro-

• **Dimensions and technical data for VISULEX Ex-Camera K06A-Ex:**

Camera	PAL	NTSC
Camera standard	CCIR (Europa)	EIA (USA)
Image sensor	1/3" CCD	1/3" CCD
Pixels	approx. 440,000	approx. 380,000
Light sensitivity	1 lux	1 lux
Resolution	460 lines (horizontal)	470 lines (horizontal)
Electronic shutter speeds	Automatic, 1/1-1/10,000	Automatic, 1/1-1/10,000
Signal-to-noise ratio	>48 dB	>48 dB
Aperture control	Automatic	Automatic
Colour system	PAL 752 x 582	NTSC 768 x 492

Control unit (rack and module)	Single-camera rack	6-camera rack
Power input	Max. 15 W	Base load 5 W; the rating increases by 15 W per module (max. 95 W)
Fuse protection (due to starting current)	1.6 A	6.3 A
Dimensions mm (H x W x D)	160 x 180 x 300	160 x 470 x 300



For example: VISULEX Ex-Camera K06A-Ex

Viewing angle – see table above

- Important: please specify whether PAL or NTSC is required

- 370 m transmission cable (please state length in full metres)

riately dimensioned Lumistar luminaire can additionally be installed.

- A separate arrangement consisting of light glass and camera glass is a further option for consideration. This combination depends on the process and the reactor size as well as on the surface of the vessel, the medium in question, and the angle of incidence.

- Consistently uniform illumination should be ensured.

• **Order data:**

Item	Viewing angle	Part No.
1	120°	4502.021.00
2	90°	4502.018.00
3	78°	4502.022.00
4	60°	4502.019.00
5	54°	4502.023.00
6	39°	4502.020.00
7	28°	4502.024.00

Item	Component	Part No.
1	Single-camera rack	1590.032.00
2	6-camera rack	1590.033.00
3	Camera control module	1123.009.00
4	Transmission cable	3465.000027

- Rack for 1 or 6 cameras - see table above

- Camera control module, Part No. 1123.009.00

We recommend the 6-camera rack for connecting additional

cameras at a later date.