

## Lumiglas sight glass wiper with flexible drive SW II BW

3755.172 b

for use with circular sight glass assemblies to DIN 28120 or similar

### • Mounting:

By means of pressure tight glands through both base and cover flange of sight glass assembly; suitable for sight glass discs corresponding to DIN 7080 or DIN 8902.

### • Application:

For manually activated cleaning, when required, of inside face of glass in sight ports. Particularly suitable for pressure and vacuum, vessels requiring test certification both **in explosion hazardous as well as non hazardous** operating areas. The glass discs fitted into the assemblies correspond to DIN 7080 or DIN 8902 standards. Suitable for circular sight glass assemblies nominal size DN 100 ... DN 200.

### • Operating conditions:

Vacuum tight; pressure tight to 16 bar.  
Max. permissible temperature: 220°C (depending, however, on type of glass disc used).

### • Possible combinations:

Simultaneous fittings of Lumistar luminaire, flame proof or standard design, is possible with the wiper SW II BW, as is the fitting of a spray device.

### • Certification/Testing:

Test certificates issued by the state material testing authority Nordrhein Westfalen, Dortmund, are available.

### • Assembly/materials alternatives for the complete supply:

Wiper blade: PTFE or silicone rubber  
All product contact parts are of stainless steel.  
Mechanical drive internal seal: PTFE



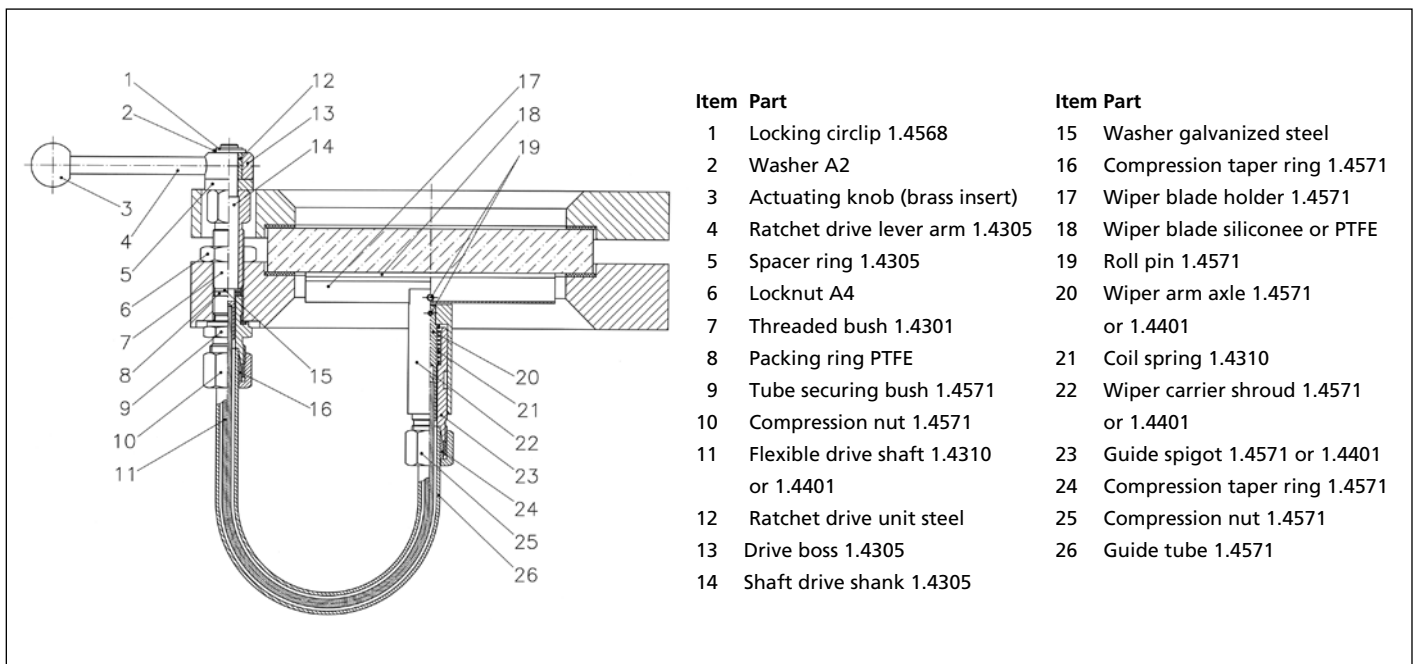
Lumiglas SW II BW mounted into sight glass fitting DIN 28120

### • Assembly and installation instructions:

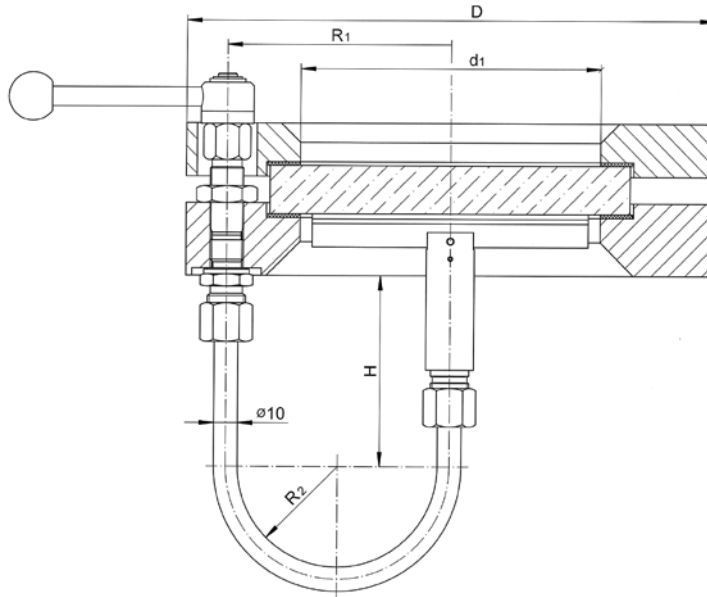
The wiper is actuated by flexible shaft which engages at one end in the wiper blade holder and at the other in a lever operated ratchet drive mechanism which ensures drive shaft is always rotated in same direction.

A separate set of detailed installation instructions is included in the supply.

Should you order a complete sight glass assembly with the wiper SW II BW, the additional machining of the base will be carried out by Papenmeier.



• Dimensions for Lumiglas sight glass wiper SW II BW:



size		1	2	3	4
nominal bore assembly	DN	100	125	150	200
viewing diameter	d1	125	150	175	225
flange	D	220	250	285	340
wiper	R 1	93	105	120	147.5
	R 2	41.5	47.5	55	68.75
	H	79	69,5	85	63,5
part no.		7223.034.00	7223.035.00	7223.036.00	7223.037.00

• Spare parts:

wiper blades	for size/DN	wiper blade length (mm)	silicone part no.	PTFE part no.	
	1/100	115	9468.020.00	9468.031.00	
	2/125	140	9468.021.00	9468.032.00	
	3/150	165	9468.022.00	9468.033.00	
	4/200	215	9468.023.00	9468.034.00	
flexible drive	for size/DN	part no.			
	1/100	9323.014.00			
	2/125	9323.014.00			
	3/150	9323.016.00			
	4/200	9323.016.00			

• Order data:

e. g. Lumistar sight glass wiper SW II BW, size 3, wiper blade silicone rubber.

If ordering with complete sightport assembly please give the following additional information:

1. Sight glass assembly (DN/PN), materials.
2. Type and size of sight glass disc (borosilicate/sodalime).

All dimensions in mm unless stated otherwise. Subject to change without prior notice. 09.15