

Lumiglas Sight Glass Wiper SW I

for circular sight glass assemblies to DIN 28120 or similar as well as screwed sight glass assemblies

• Installation:

Into sight glass disc with 10.5 mm central hole (to DIN 7080/8902 or similar, suits sight glass assemblies to DIN 28120 from nominal size DN 50 to DN 400 as well as screwed sight glass assemblies similar to DIN 11851, DN 50, 65, 80, 100, 125, 150.

• Application:

For manual cleaning, when required, of inside glass surface in sightports.

• Operating conditions:

Vacuum tight; pressure tight to at least 2 bar and, depending on glass diameter, to 6 bar. Max. permissible temperature 220°C (though this depends on glass type used).

• Possible combinations:

Unit can simultaneously be combined with a spray device. Combination with Lumistar luminaire mounted on the sight glass unit is possible from viewing dia. 125 (DIN 28120, DN 100) depending on luminaire size (see table overleaf). Lumistar luminaire series USL and ESL can also be combined with the unit. With screwed sight glass assemblies combination with Lumistar luminaire SLM or Lumistar ME is possible with size DN 125. Also available with ratchet-drive lever.

• Certification/testing:

Certification issued by the state material testing authority of Nordrhein-Westfalen, Dortmund, are available.

• Assembly and material alternatives for the complete supply:

Item	art
1	T grip (or ratchet-drive lever at extra cost) - Polycarbonate (bush brass)
2	locating pins - 1.4310
3	spacer collar - locating - brass or PEEK
4	spacer collar - with spigot - brass or PEEK
5	compression spring - 1.4310
6	bush - threaded female - 1.4401
7	glass disc - Sodaslime or Borosilicate
8	gasket - non asbest fibre, BAS 400 green
9	O-ring seal - Viton
10	bush - threaded female - 1.4401 or 1.4404
11	wiper spindle - 1.4401 or 1.4404
12	O-ring seals - Viton
13	bearing sleeve - PTFE
14	wiper blade - silicon, PTFE or EPDM
15	wiper arm - 1.4571
16	locating pin - 1.4310

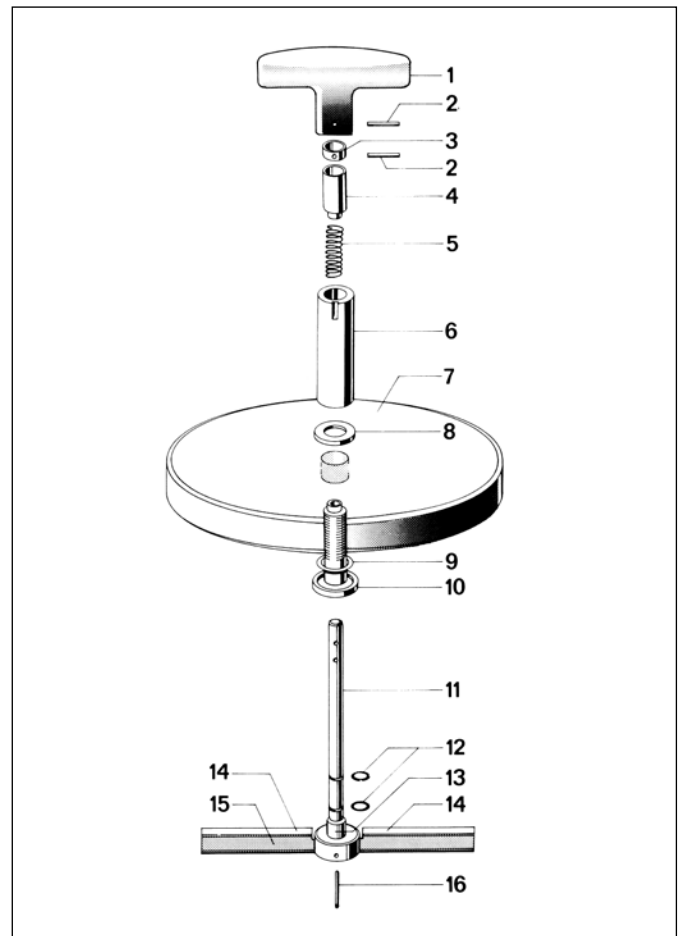
- drive lever - 1.4305
- lever knob - Polycarbonate (bush brass)
- freewheel unit - steel
- drive boss - 1.4305
- dust cap - synthetic resin
- all product contact parts - stainless steel

• Fitting and assembly instructions:

If the wiper is ordered separately, i. e. not installed into sight glass disc by the manufacturer, the assembly has to be done with regard to separate installation and operating instructions, attached to the delivery.

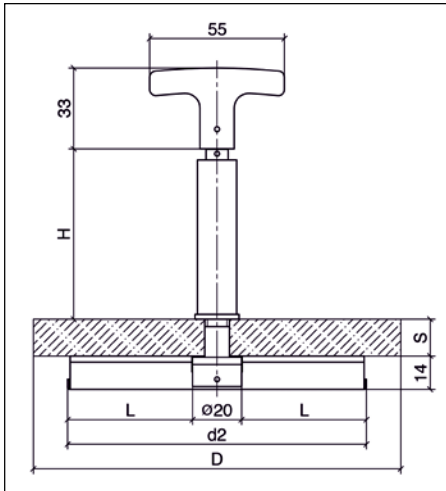


Lumiglas sight glass wiper SW I built into a sight glass disc



Exploded view of components

• Dimensions for Lumiglas sight glass wiper SW I



Lumiglas wiper SW I, fitted into sight glass assembly DIN 28120



Lumiglas wiper SW I, as shown adjoining but with Lumistar luminaire fitted

size		3	4	5*	6*	7*	8*	special sizes			
								9	10	11	12
nominal diameter	DN	50	80	100	125	150	200	250	300	350	400
viewing diameter	d ₁	80	100	125	150	175	225	on request			
dimension für H	mm	70/70	70/70	70/65	70/65	70/65	70/60				
soda lime or borosilicate sight glass disc	D	100	125	150	175	200	250				
	s	15/15 ¹	15/15 ¹	15/19 ¹	15/19 ¹	15/19 ¹	15/25 ¹				
wiper blade	d ₂	77	97	122	147	172	222	depending on glass diameter as well as inside diameter of assembly, max. 460 mm			
part no. 7223__00 (replace with the respective figures, e.g. .065.)		062.	.063.	.064.	.065.	.066.	.067.				

* Combination with luminaire Lumistar possible, NB: Combination with Lumistar 225, drive/lever version, also in combination with some Lumistar luminaires type USL and ESL.

¹ Data valid only for borosilicate glass

• Spare parts

Wiper blades	for sizes	L	silicon rubber, part number	PTFE, part number
	3	28.5	9468.062.00	9468.072.00
	4	38.5	9468.063.00	9468.073.00
	5	51	9468.064.00	9468.074.00
	6	63.5	9468.065.00	9468.075.00
	7	76	9468.066.00	9468.076.00
	8	101	9468.067.00	9468.077.00
	9 to 12	depending on glass diameter and inside diameter of the fitting		
Seals	for sizes	diam. x s	part number	
Viton-O-ring seal (no. 12 overleaf)	1 bis 6	4 x 1	0862.019.00	
Viton-O-ring seal (no. 9 overleaf)	1 bis 6	12 x 2.5	0862.024.00	

• Ordering Information:

- e. g. Lumiglas sight glass wiper SW I, size 3, wiperblade PTFE. If a sight glass disc is needed as well, please specify the following data:
- Borosilicate or soda lime glass
 - Sight glass disc size (diameter x s)
 - nominal fittings diameter DN
 - effective operating pressure for this vessel
 - for wiper blades sizes 9 and larger, please specify the inside diameter of the fitting

• Note:

A sight glass disc is not automatically included in the supply. Please order sight glass disc separately.

All dimensions in mm unless stated otherwise. Subject to change without prior notice. 09.15