

## Lumistar Luminaire USL 03/USL 03-LED

- **For mounting on sight glass fittings:**

This ultra-compact sight glass luminaire is designed for universal applications. It is ideal for use in combined sight and light ports (single-flange version) or with two separate ports (2-flange version).

- **Compact design, powerful light output:**

Glare-free illumination; suitable for circular sight glass fittings to DIN 28120/DIN 28121 or similar and for screw-type sight glass fittings in compliance with DIN 11851.

- **Application:**

For illuminating the interior of tanks, hoppers, silos, agitators and other, usually closed, vessels and reactors as well as visual flow indicators in **non-explosive environments**. Recommended for use in the food processing industry.

- **Protection class:** dust- and waterjet-proof, IP 65 acc. to EN 60 529 / DIN VDE 0470, Part 1

- **Operating conditions:**

Independent of the internal pressure/vacuum in the vessel. On no account should a sight glass luminaire be used on its own to close a vessel port or as a replacement for the cover flange or instead of the complete sight glass flange assembly. The LED version should not be used in ambient temperatures of over 40°C.

- **Operating voltage:**

**without integrated pushbutton:**  
24 V AC/DC halogen lamp 20 W, 2-pin socket G4  
12 V/24 V AC/DC LED 2 W, 2-pin socket GU4

**with integrated pushbutton:**

24 V AC/DC halogen lamp 50 W, 2-pin socket GY6.35  
(12 V available as an alternative option)

- **Transformers:**

Transformers for 24 V secondary voltage can be supplied on request.

- **Momentary pushbutton:**

50-watt luminaires should only be operated by pushbutton (not in continuous mode).

- **Lamp change:**

- Switch off the luminaire and disconnect the power supply
- Loosen the two screws in the head of the luminaire
- Open the luminaire
- Replacing the light bulb or LED illuminant (always using the same type with the same wattage!)
- Caution: Never touch the glass bulb with bare fingers, always use a cloth!
- Reassemble the luminaire
- Screw the front and rear parts of the luminaire housing together

- **Installation:**

The unit is supplied complete with a works-fitted 3 m cable tail. The luminaire is usually mounted with a hinged bracket (included in scope of supply) to fasten it to the cover flange of the circular sight glass fitting or visual flow indicator, or attached to the grooved nut on screw-type sight glass fittings.

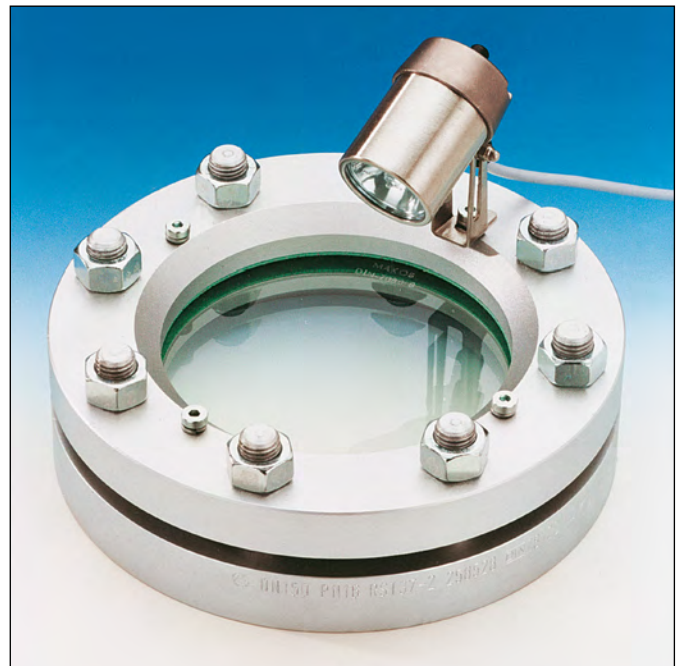
The required M6 screw is included in the scope of supply.



3755.155 e



Lumistar luminaire USL 03 in stainless steel

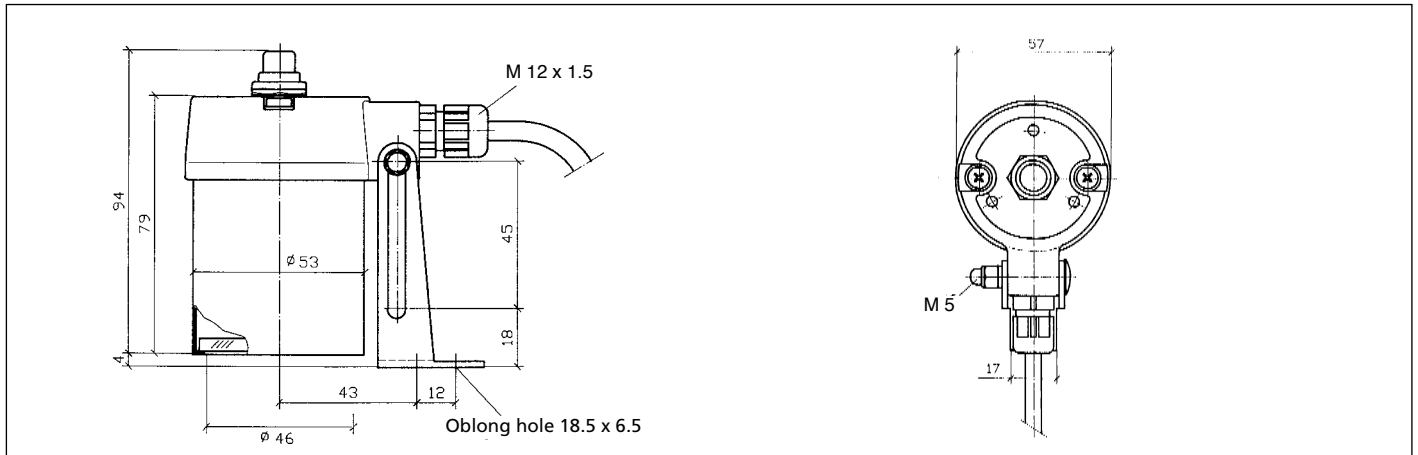


Lumiglas luminaire USL 03 with hinged bracket, made completely of stainless steel, mounted on a circular sight glass fitting to DIN 28120

**The Lumistar luminaire USL 03 fits the following sizes:**

- Circular sight glass fitting acc. to DIN 28120: from DN 25
- Circular sight glass fitting acc. to DIN 28121: from DN 40
- Visual flow indicators: from DN 25
- Screw-type sight glass fittings in compliance with DIN 11851: from DN 65

• Dimensions and electrical data for Lumistar luminaire USL 03/USL 03-LED:



• Components and materials:

- Luminaire housing: stainless steel 1.4301; head of luminaire: stainless steel 1.4552
- Mounting parts (hinged bracket or flanged adapter): stainless steel 1.4301
- Power cable: 3 m (3 x 0.75 mm<sup>2</sup>)
- Weight: 0.7 kg

• Order data:

No.	Item	Part-No.
1	Lumistar luminaire USL 03, 24 V/20 W, without pushbutton	3540.015.00
2	Lumistar luminaire USL 03, 24 V/20 W, with pushbutton	3540.020.00
3	Lumistar luminaire USL 03, 24 V/50 W with pushbutton	3540.022.00
4	Lumistar luminaire USL 03-LED, 12 V/2 W GU4, without pushbutton, 5 m UL-connecting cable	3541.381.00
5	Lumistar luminaire USL 03-LED, 24 V/2 W without pushbutton, 5 m UL-connecting cable	3541.377.00
6	Luminaire mounting (hinged bracket)	0354.023.00
7	Reflector for 20 W	5904.022.00
8	Reflector for 50 W	5904.025.00
9	O-ring seal between front and rear part of luminaire housing, 50 x 2 mm, 80 shore, Viton	0862.094.00
10	2-pin socket G4	1202.011.00
11	2-pin socket GY6.35	1202.012.00
12	2-pin socket GU4	1202.023.00
13	Halogen lamp 24 V/20 W G4	3233.206.00
14	Halogen lamp 24 V/50 W GY6.35	3232.242.00
15	LED 12 V/2 W GU4	3232.xxx.00
16	Pushbutton with cap	8531.011.00
17	O-ring seal for pushbutton, 12 x 2 mm	0862.016.00
18	O-ring seals for fastening screws in head of luminaire, 3.5 x 1.2 mm	0862.076.00

All dimensions in mm unless stated otherwise. Subject to change without prior notice. 06.17