

Lumistar Timer – electronic time delay switch for Lumistar luminaires

The integrally fitted Lumistar timer enables the unit to be switched on directly or indirectly. After a preprogrammed interval (appx. 5 minutes) the luminaire is automatically switched off.

• Application:

For better utilisation of the operating life of the halogen filament lamp, and particularly useful where visual inspection procedures are only passing and brief illumination of vessel internals is required. Also saves power and keeps temperature down.

The Lumistar timer is so compact that it will fit into almost all more sized Lumistar luminaires:

Lumistar luminaires for Non-Ex hazardous areas:

- Lumistar luminaires type Lumistar, size 175 to 225
- Lumistar luminaires type USL, beginning from USL 06

Lumistar luminaires for Ex hazardous areas:

- Lumistar luminaires type USL, beginning from USL 06-Ex
- Lumistar light guide luminaire USL 07 LF-Ex „Lumiflex“

- **Protection:** corresponds to luminaire specification

• Fitting and function:

The Lumistar timer is either fitted or can be retrospectively fitted at manufacturer's works into the relevant Lumistar luminaire.

• Two alternative operating functions can be used:

Once voltage is applied to the luminaire, the timed lighting starts automatically and runs for a period of around five minutes.

1. Remote control

If the applied voltage is momentarily interrupted (for about 1 or 2 seconds), for instance by pressing a pushbutton (break contact), the automatic process is restarted.

2. Direct control

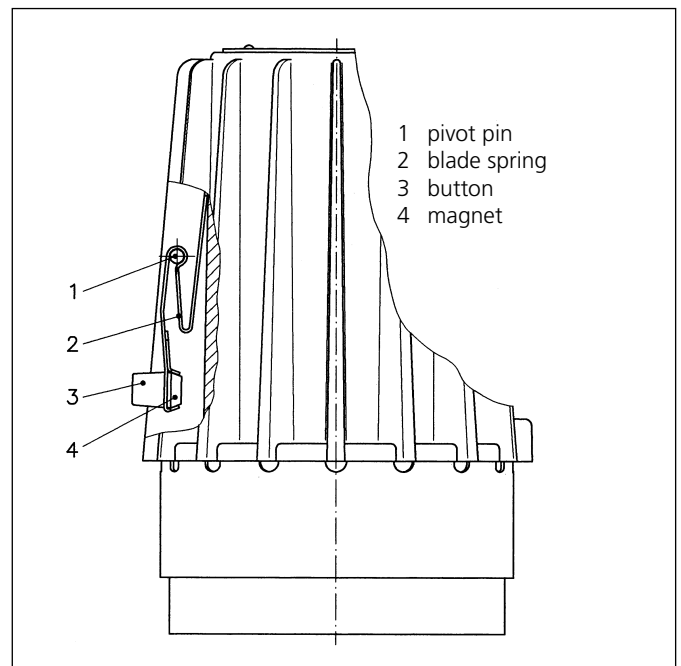
The automatic process is restarted by a spring-loaded lever or a pushbutton located on the outside of the Lumiglas luminaire housing (depending on the version).

- **Operating voltage:** 12 V, 24 V, 120 V, 230 V

- **Power:** max. 50 W (12 V)
max. 100 W (24 V, 120 V, 230 V)



Lumistar timer as optional feature for Ex as well as Non-Ex Lumistar luminaires



Switching mechanism