


Lumiglas Luminaire Stainless Steel ESL 27



Data Sheet 06.27

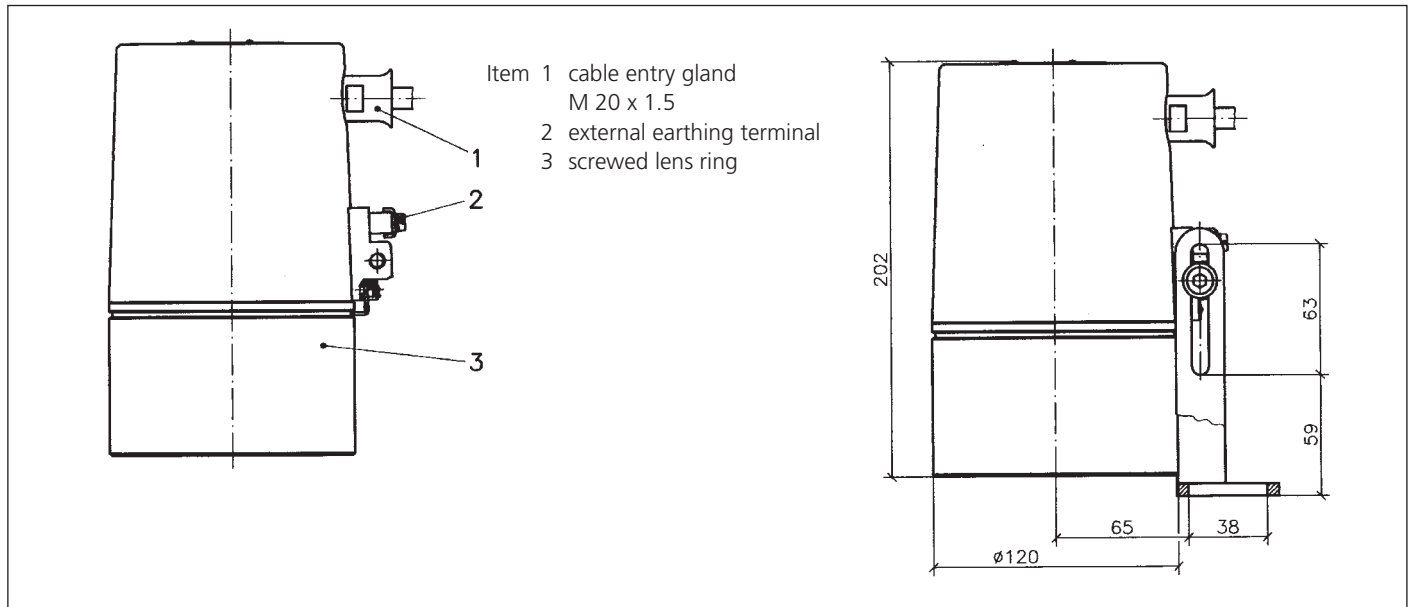
- **For mounting onto sight glass fittings**
The product is a universally applicable sight glass luminaire ideally suited for use on combined sight/light glass units (single flanged port arrangement) as well as for separate flanged ports.
- **Compact, high light output:**
Dazzle free illumination; suits circular sight glass fittings to DIN 28120/DIN 28121 or similar as well as screwed sight glass assemblies similar to DIN 11851 and flow indicators. Sizes, depending on style, from DN 50 upward.
- **Large light aperture thanks to screwed lens ring design**
- **Applications:** suitable for pharmaceutical and food industries and **especially for sterile areas!**
For the illumination of flow indicators, pipelines, laboratory mixers, bioreactors as well as internals of tanks, pressure vessels stirred reactors and otherwise normally closed containers.
-  **version also available** (see data sheet 07.27)
- **Protection:** Dust and water jet tight, IP65 to EN 60529/DIN VDE 0470 part 1
- **Operating conditions:**
Independent of vessel internal pressure/vacuum.
On no account may a sight glass luminaire be used to replace a cover flange or a complete flange assembly or in any way as a lid to cover a vessel opening.
- **Maximum ambient temperature at cable entry:** 80°C
- **Electrical data and components:**
 - **Power supply:** AC or DC, depending on luminaire type
 - **Supply voltage:**
 - excluding integral transformer**
 - 12 V... Halogen filament lamp 50 W
 - 24 V... Halogen filament lamp 50 W or 100 W
 - 230 V... Halogen filament lamp 50 W, 75 W
 - including integral transformer**
 - 120 V... Halogen filament lamp 12 V/50 W
 - 230 V... Halogen filament lamp 12 V/50 W
 - 240 V... Halogen filament lamp 12 V/50 W
- **Filament lamp socket:** see table overleaf
- **Specially designed bracket ensures simple, practical mounting!**
- **Problem free electrical connection**
- **Lens ring unscrews to provide ideal lamp exchange facility**



Lumiglas luminaire stainless steel ESL 27 with hinged bracket

- **Accessories:**
 - Mounting parts: stainless steel hinged bracket
 - Lens ring peg spanner for opening the luminaire
 - Time delay switch, separate enclosure, for timed illumination
- **Mounting alternatives:**
With circular sight glass units and with flow indicators the luminaire is mounted on the cover flange using the hinged bracket with screwed sight glass fittings the luminaire is secured to the slotted cover nut.
- **The Lumiglas luminaire ESL 27 suits the following fittings nominal sizes upwards:**
 - a) circular sight glass unit style DIN 28120: DN 50...
 - b) circular sight glass unit style DIN 28121: DN 50...
 - c) flow indicator: DN 50
 - d) screwed sight glass unit similar to DIN 11851: DN 100...
- **For sterile area applications a version of the luminaire is available with a sleeve to fit over the raised lip machined into the cover flange.**

• Dimensions and electrical data for Lumiglas luminaire stainless steel ESL 27



• Electrical connection:

Cable and entry gland are fitted at manufacturers' works for either side or top entry (please indicate preference when ordering).

Connecting cable length 3 m (alternative lengths on request)

With ambient temperatures > 40°C a temperature resistant cable suitable for at least 110°C should be used
e. g. Sinotherm 110 H0GG-F 3G 1.5 mm².

• Ordering information:

e. g. Lumiglas luminaire model ESL 27 (230 V/12 V) 50 W, part no. 3541.267.00 with 3 m connecting cable, side entry!

• Parts, material and finish:

- Luminaire body: stainless steel 1.4404, polished
- Mounting bracket: stainless steel (see under accessories)
- Cable entry gland: M 20 x 1.5

• Weight (with 3 m connecting cable)

- Without integral transformer: 7.2 kg
- With integral transformer: 8.2 kg

• Accessories:

Item	Part	Part no.
1	luminaire mounting hinged bracket	0354.021.00
2	lens ring peg spanner	6816.002.00
3	time delay switch unit	on request

• Connecting data:

Item	Type ESL 27	Part no.	Supply V	Integral transformer	Halogen filament lamp		
					Socket	Voltage	Part no.
1	(12 V) 50 W	3541.264.00	12 ~	without	GY 6.35	12 V/50 W	3232.238.00
2	(24 V) 50 W	3541.265.00	24 ≈	without	GY 6.35	24 V/50 W	3232.242.00
3	(120 V/12 V) 50 W	3541.266.00	120 ~	with	GY 6.35	12 V/50 W	3232.238.00
4	(230 V/12 V) 50 W	3541.267.00	230 ~	with	GY 6.35	12 V/50 W	3232.238.00
5	(240V/12 V) 50 W	3541.268.00	240 ~	with	GY 6.35	12 V/50 W	3232.238.00
6	(230 V) 50 W	3541.269.00	230 ≈	without	GZ 10	230 V/50 W	3232.261.00
7	(230 V) 75 W	3541.272.00	230 ≈	without	GZ 10	230 V/75 W	3232.263.00
8	(24 V) 100 W	3541.275.00	24 ≈	without	GY 6.35	24 V/100 W	3232.244.00

All dimensions in mm unless stated otherwise. Subject to change without prior notice.
ric 12.09 3755.352 a