

## UL-listed

### Lumiglas Stainless Steel Luminaires, Series USL13-UL

- For use with sightglass fittings

This super-compact sight port luminaire is applicable for combination view/sight port (single flange version) or separate light and sight port (dual-flange version).

- This powerful super-compact size luminaire is designed to give glare-free illumination with sightglass styles as follows:

DIN 28120, DIN 28121 or similar circular flanges, Visual Flow Indicators, as well as weld-neck style series MV to DIN 11851. Nominal sizes depending on fixture type:

- a) Circular weld-on sightglass series DIN 28120 starting at DN 25...
- b) Circular sightglass series DIN 28120 starting at DN 40...
- c) Visual Flow Indicators
- d) Circular weld-neck series MV similar DIN 11851 starting at DN 50...

- Application:

Optimum for the illumination of bio-reactors, laboratory mixers, filters, boilers, tanks, agitators, separators, pipes and other sealed vessels in locations that are not potentially explosive. Excellent application in the pharmaceutical and food industry

- Protection:

Dust and water jet tight to IP 65 per EN 60529/DIN VDE 0470, Part 1 and NEMA Types 4 & 4X

- Operating conditions:

Independent of the pressure/vacuum inside the vessel; Maximum allowable ambient temperature at the cable gland 90° C.

- Under no circumstances must the Lumiglas lamp be used for sealing purposes in a vessel port in lieu of a sight port.

- Electrical information:

The Lumiglas lamp comes equipped with a three meter connecting cable.

- Operating Voltage:

24 V, 120 V... Halogen incandescent lamp, 20 W or 50 W see table!

- Momentary push-button:

Momentary switches or timers are required for 50-Watt luminaires. 50-Watt luminaires should be operated only in momentary mode!

**Warning!** When the luminaire – whether fitted with existing or higher wattage lamp – is used in continuous ON mode, check the temperature of the luminaire, its lens glass and the light/sightglass fitting; these temperature values must not be allowed to exceed those stated in the relevant data sheet and/or separate sheet entitled "Installation and operating instructions for lumiglas luminaires".

If these values become critical, insert a momentary push button or time delay switch in the power supply to the luminaire to prevent overheating.

- Mounting bracket:

The mounting bracket for the lamp (pivoting hinge) is included. Adapter flange for mounting series MV weld-neck type sight port can be ordered separately.

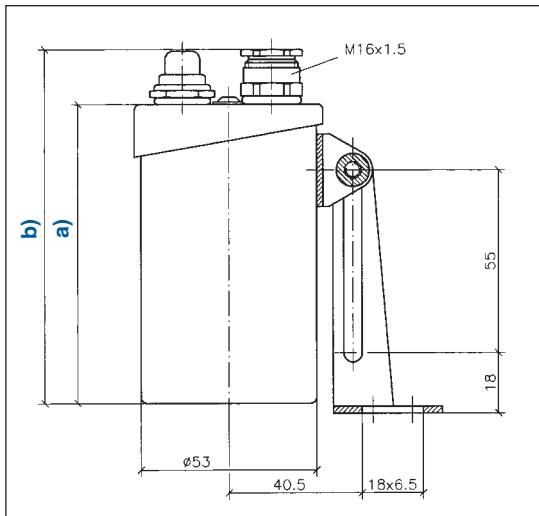


Stainless steel Lumiglas luminaire USL13-UL



Stainless steel Lumiglas luminaire series USL13-UL with hinged bracket mounted onto a circular sight glass fitting series DIN 28120

• Dimensions for Lumiglas luminaire stainless steel USL13-UL:



• Parts, construction and materials:

- body and cover: stainless steel 1.4404
- fastenings: 1.4301 (hinged bracket or adapter flange)
- power cable: 3 meters (3 x 0,75 mm<sup>2</sup>)
- weight: 0,58 kg

- a) 90 mm - model 24 V/50 W  
123 mm - model 120 V/50 W
- b) 115 mm - model 24 V/50 W  
148 mm - model 120 V/50 W

• Connection Data:

Stainless Steel Lumiglas Luminaire USL13-UL						Replacement Parts		
Item	Series USL13-UL	Push Button	Part No.	Supply Voltage	Transformer	Halogen Lamp		
						Socket	Voltage/Power	Part No. <sup>1)</sup>
<b>20 W</b>								
1	(24 V) 20 W	yes	3540.441.00	24 ≈	no	G4	24 V/20 W	3232.206.00
2	(24 V) 20 W	no	3540.442.00	24 ≈	no	G4	24 V/20 W	3232.206.00
3	(120 V) 20 W	yes	3540.593.00	120 ≈	no	Ba15d	120 V/20 W	3232.287.00
4	(120 V) 20 W	no	3540.594.00	120 ≈	no	Ba15d	120 V/20 W	3232.287.00
<b>50 W</b>								
5	(24 V) 50 W	yes	3540.975.00	24 ≈	no	GY6.35	24 V/50 W	3232.242.00
6	(24 V) 50 W	no	3540.976.00	24 ≈	no	GY6.35	24 V/50 W	3232.242.00
7	(120 V) 50 W	yes	3540.685.00	120 ≈	no	Ba15d	120 V/50 W	3232.275.00
8	(120 V) 50 W	no	3540.686.00	120 ≈	no	Ba15d	120 V/50 W	3232.275.00

<sup>1)</sup> = ordering no.

• Luminaire Mounting:

- Hinged bracket part no. 0527.008.00 (included)
- Adapter flange DN 50 Series MV part no. 1356.027.00 (separate order)
- Adapter flange DN 65 Series MV part no. 1356.007.00 (separate order)

• Ordering information:

- e.g. Lumiglas luminaire stainless steel type USL13-UL, 24 V/50 W with push button, part no. 3540.975.00 and additionally on demand:
- Luminaire mounting „adapter flange“ DN 65, part no. 1356.007.00.

• Application examples:



Installed as lighting-sight port assembly, using hinged bracket, fitted to circular sight-glass port to DIN 28120 DN 50



Installed as lighting port assembly on a series MV DN 65 using adapter flange

All dimensions in mm unless stated otherwise. Subject to change without prior notice.  
Min 12.07 3755.231