

## Stainless Steel Lumiglas Mini Luminaire USL01/USL31

Data sheet 06.11 S

### part of the popular Papenmeier sightglass range

Lumiglas Sterile Technology sightglass luminaires are particularly suitable for use in sterile and aseptic conditions.

Used ideally in combination with fused metal sightglasses (METAGLAS®) as also with the BioControl range (NEUMO). METAGLAS® works very well with clamp closures (METACLAMPS®) as well as in NA-Connect™ range.

### Two methods of mounting the Lumiglas luminaires in sterile conditions have been optimized in practice:

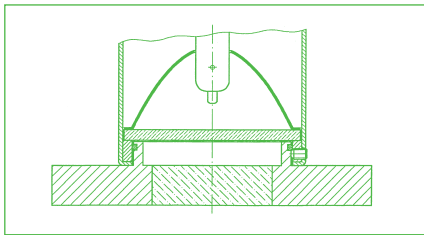


Fig. 1  
USL31

1. The luminaire fits over and is secured around a special circular male upstand on the cover flange. An O ring provides the seal to the sightglass side. (see fig. 1).

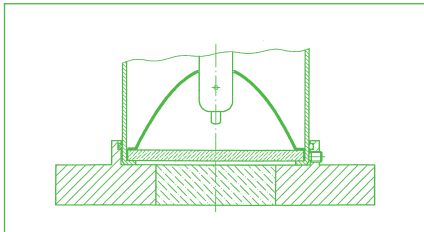


Fig. 2  
USL01

2. Alternatively the luminaire can fit and be secured inside a female circular upstand. Here too the seal is made by an O ring. (see fig. 2).

These are the preferred methods of mounting in the sterile sector. Also there is the standard form of hinged bracket, and for USL01 a securing clip for use with a Lumiglas sightglass wiper type SW 1 (see fourth page).



USL01/USL31  
O.D. 24 mm  
Lens (light exit) 14 mm diam.  
12 V/5 W or 24 V/20 W



Lumiglas mini luminaire USL01, adapted for METACLAMP®



Lumiglas mini luminaire USL31, adapted for BioControl (NW 25)

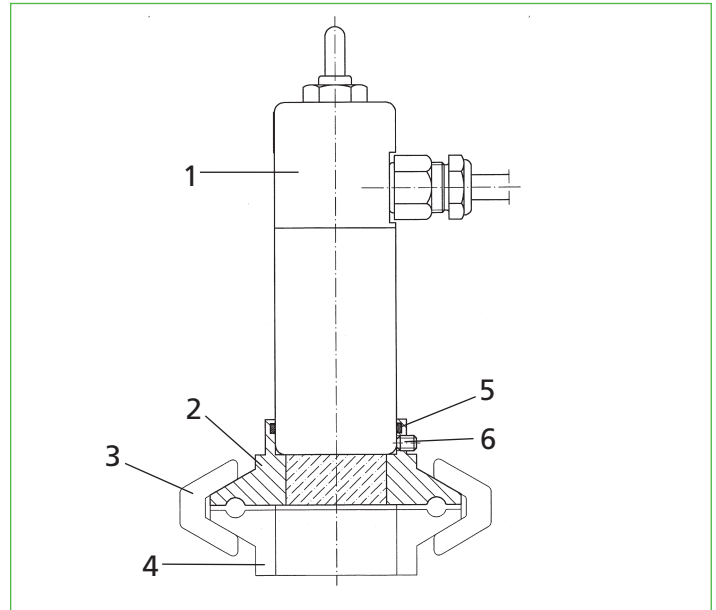


• **Examples of mounting:**

**Lumiglas luminaire USL01 mounted on a fused metal sightglass for tri-clamp joint (META CLAMP®):**

- for clamp nozzle to DIN 32676/ISO 2852

- 1 Lumiglas luminaire USL01
- 2 Fused metal/glass flange for tri-clamp joint
- 3 Clamp
- 4 Clamp style weld flange with female upstand
- 5 O ring
- 6 Securing screws

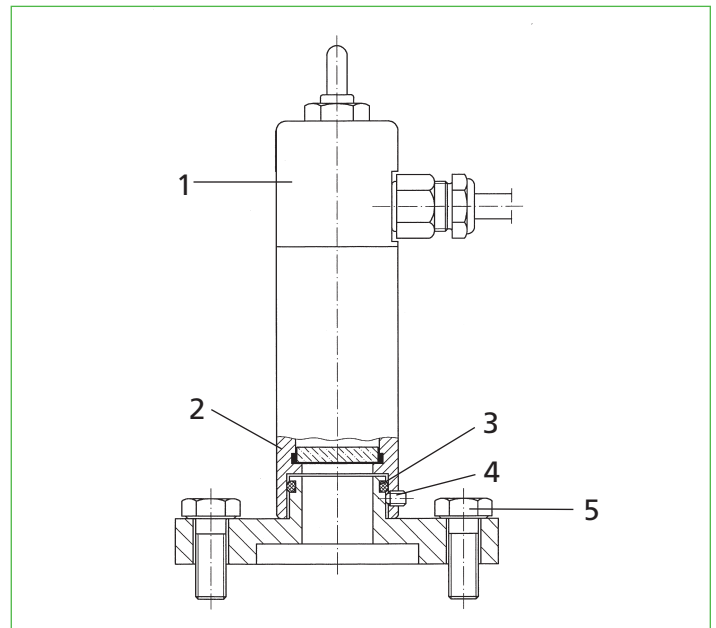


Version USL01 META CLAMP® adaption

**Lumiglas luminaire USL31 mounted on BioControl range:**

- for NW 25 fitting

- 1 Lumiglas luminaire USL31
- 2 BioControl cover flange with male upstand
- 3 O ring
- 4 Securing screws
- 5 Cover flange securing bolts



Version USL31 BioControl adaption

• **Connecting data:**

Stainless steel mini luminaire			
Part	Model USL01 Female upstand	Part No.	Voltage ≈
1	(12 V) 5 W without pushbutton switch	3540.005.00	12
2	(24 V) 20 W with pushbutton switch	3540.006.00	24
Model USL31 Male upstand			
3	(12 V) 5 W without pushbutton switch	3540.007.00	12
4	(24 V) 20 W with pushbutton switch	3540.008.00	24

• **Spare parts requirement: Halogen filament lamp**

Power:	Socket:	Part No.:
12 V/5 W	G 4	3232.221.00
24 V/20 W	G 4	3232.206.00

• **Ordering information:**

example: stainless steel Lumiglas mini luminaire USL01, 24 V/20 W with pushbutton switch, Part No. 3540.006.00



## Stainless Steel Lumiglas Mini Luminaire USL01

- Specially adapted for use with sight/lightglass combination
- Example of mounting:

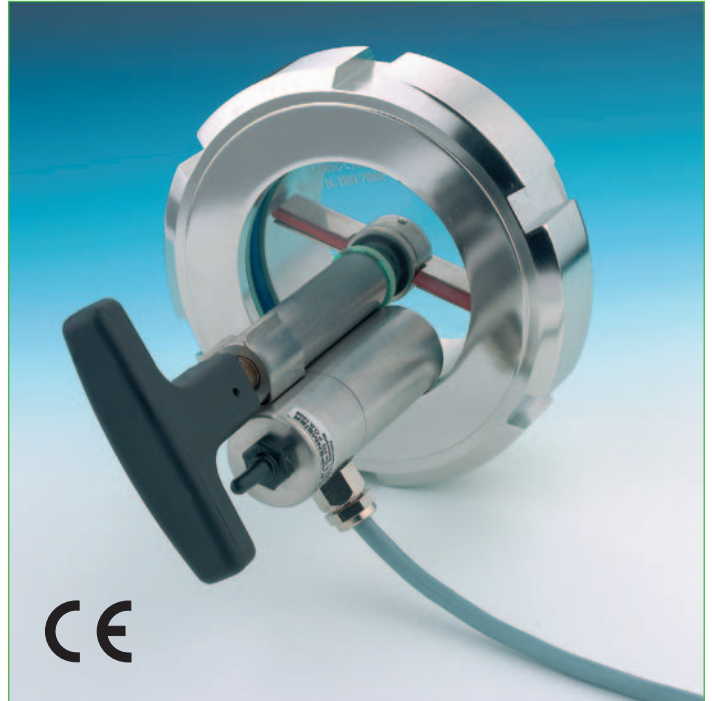
- Ideal for use in sterile areas

- Versions:

- a) with stainless steel clip for mounting on sightglass wiper mechanism (model SW I)
- b) with stainless steel hinged bracket: the bracket can either be bolted or welded onto the cover flange face

- Connecting data:

Stainless steel Lumiglas mini luminaire USL01				
Part	Model USL01	Mounting part included	Part No.	Voltage ≈
1	(12 V) 5 W without pushbutton	clip	3540.001.00	12
2	(24 V) 20 W with pushbutton	clip	3540.002.00	24
3	(12 V) 5 W without pushbutton	hinged bracket	3540.003.00	12
4	(24 V) 20 W with pushbutton	hinged bracket	3540.004.00	24



Stainless steel Lumiglas mini luminaire USL01 clipped onto a sightglass wiper assembly SW I, mounted on a screwed sightglass

- Replacement parts: as per third page
- Ordering information: as per third page



Stainless steel Lumiglas mini luminaire USL01 mounted on a screwed fitting used as lighting port

All dimensions in mm unless stated otherwise. Subject to change without prior notice.  
Min 02.06 3755.275