

Lumiglas Stainless Steel, Series USL15

Data sheet 06.15

- **For use with sight glass fittings**

This super-compact sight port luminaire is applicable for combination view/sight port (single flange version) or separate light and sight port (dual-flange version).

- **This powerful super-compact size luminaire is designed to give glare-free illumination with sight glass styles as follows:**

DIN 28120, DIN 28121 or similar circular flanges, Visual Flow Indicators, as well as weld-neck style series MV to DIN 11851
Nominal sizes depending on fixture type:

- a) Circular weld-on sight glass series DIN 28120 starting at DN 40...
- b) Circular sight glass series DIN 28121 starting at DN 40...
- c) Visual Flow Indicators
- d) Circular weld-neck series MV similar DIN 11851 starting at DN 65...

- **Application:**

Excellent in the pharmaceutical and food industry, optimum for the illumination of bio-reactors, laboratory mixers, filters, boilers, tanks, agitators, separators, pipes and other sealed vessels in locations that are not potentially explosive.

- **Protection:**

Dust and waterjet tight to IP 65 per EN 60 529/ DIN VDE 0470, Part 1 and NEMA Types 4 & 4X

- **Operating conditions:**

Independent of the pressure/ vacuum inside the vessel; maximum allowable ambient temperature at the cable gland 90° C

Under no circumstances must the Lumiglas lamp be used for sealing purposes in a vessel port in lieu of a sight port.

- **Electrical information:**

The Lumiglas lamp comes equipped with a 3 meter connecting cable

- **Operating voltage:**

Without built-in transformer:

12 V, 24 V, 120 V... Halogen incandescent lamp, 20 W, with or without built-in push-button;
Halogen incandescent lamp, 50 W or 24 V/100 W, with built-in push-button, 2-pin socket;

With built-in transformer:

120 V/230 V Halogen incandescent lamp 12 V/5 W, with or without built-in push-button, 2-pin socket;
230 V Halogen incandescent lamp 12 V/20 W, only with built-in push-button, 2-pin socket;

- **Transformers:**

Transformers for 12 or 24 V secondary voltage available upon request

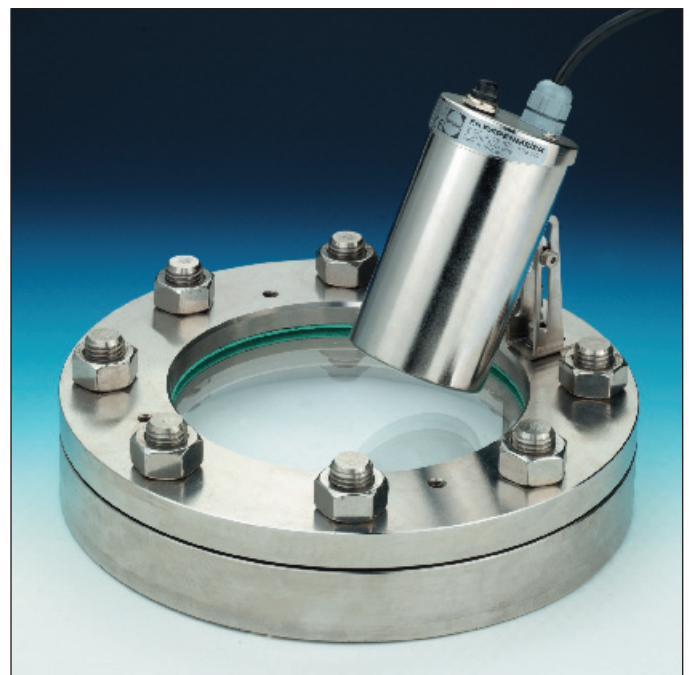
- **Built-in momentary push-button on/off switch:**

Momentary switches or timers are required for 50-Watt luminaires.

Warning! When the luminaire - whether fitted with existing or higher wattage lamp - is used in continuous ON mode, check the temperature of the luminaire, its lens glass and the light/sight glass fitting; these temperature values must not be allowed to exceed those stated in the relevant data sheet and/or separate sheet entitled "Installation and operating instructions for lumiglas luminaires".



Stainless steel Lumiglas luminaire USL15



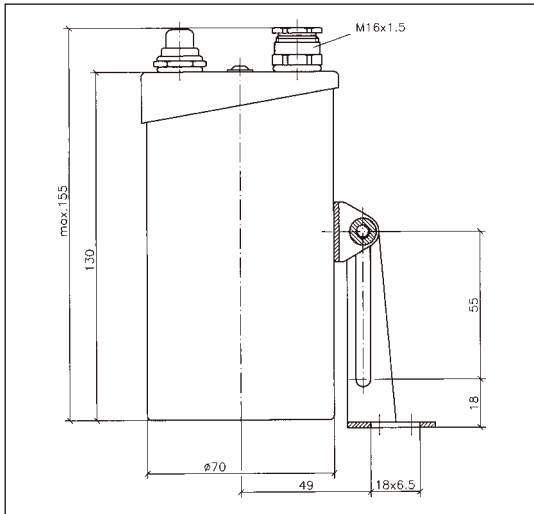
Stainless steel Lumiglas luminaire series USL15 with hinged bracket mounted onto a circular sight glass fitting series DIN 28120

If these values become critical, insert a momentary push button or time delay switch in the power supply to the luminaire to prevent overheating.

- **Mounting bracket:**

The mounting bracket for the lamp (pivoting hinge) is included. Adapter flange for mounting series MV weld-neck type sight port can be ordered separately.

• Dimensions for Lumiglas luminaire stainless steel USL15



• Parts, construction and materials:

- body and cover: stainless steel 1.4404
- fastenings: 1.4301 (hinged bracket or adapter flange)
- power cable: 3 meters (3 x 0,75 mm²)
- weight: without transformer: 0,841 kg
with transformer: 1,210 kg

• Connection Data

Stainless Steel Lumiglas Luminaire USL15						Replacement Parts		
Item	Series USL15	Push Button	Part No.	Supply Voltage	Transformer	Halogen Lamp		
						Socket	Voltage/Power	Part No. ¹⁾
5 W								
1	(120 V/12 V) 5 W	no	3540.227.00	120 ~	yes	G4	12 V/5 W	3232.221.00
2	(230 V/12 V) 5 W	no	3540.229.00	230 ~	yes	G4	12 V/5 W	3232.221.00
20 W								
3	(12 V) 20 W	yes	3540.231.00	12 ≈	no	GY6.35	12 V/20 W	3232.240.00
4	(12 V) 20 W	no	3540.232.00	12 ≈	no	GY6.35	12 V/20 W	3232.240.00
5	(24 V) 20 W	yes	3540.233.00	24 ≈	no	G4	24 V/20 W	3232.222.00
6	(24 V) 20 W	no	3540.234.00	24 ≈	no	G4	24 V/20 W	3232.222.00
7	(120 V) 20 W	yes	3540.235.00	120 ≈	no	GY6.35	120 V/20 W	3232.267.00
8	(120 V) 20 W	no	3540.236.00	120 ≈	no	GY6.35	120 V/20 W	3232.267.00
9	(230 V/12 V) 20 W	yes	3540.237.00	230 ~	yes	G4	12 V/20 W	3232.229.00
50 W								
10	(12 V) 50 W	yes	3540.240.00	12 ≈	no	GY6.35	12 V/50 W	3232.238.00
11	(24 V) 50 W	yes	3540.242.00	24 ≈	no	GY6.35	24 V/50 W	3232.242.00
12	(120 V) 50 W	yes	3540.244.00	120 ≈	no	GY6.35	120 V/50 W	3232.265.00
13	(120 V) 50 W	no	3540.245.00	120 ≈	no	GY6.35	120 V/50 W	3232.265.00
14	(230 V) 50 W	yes	3540.238.00	230 ≈	no	GZ10	230 V/50 W	3232.261.00
15	(230 V) 50 W	no	3540.239.00	230 ≈	no	GZ10	230 V/50 W	3232.261.00
100 W								
16	(24 V) 100 W	yes	3540.247.00	24 ≈	no	GY6.35	24 V/100 W	3232.244.00
17	(120 V) 100 W	yes	3540.249.00	120 ≈	no	GY6.35	120 V/100 W	3232.266.00

¹⁾ = ordering no.

• Luminaire mounting:

- hinged bracket Part No. 0527.008.00 (included)
- adapter flange DN 65 series MV Part No. 1356.010.00 (separate order)

• Ordering information:

- e.g. Lumiglas luminaire stainless steel type USL15, 24 V/20 W with push button, part No. 3540.233.00 and additionally on demand:
- luminaire mounting adapter flange DN 65, part No. 1356.010.00

• Application examples:



Installed as lighting port assembly, using hinged bracket, fitted to circular sightglass port to DIN 28120 DN 50



Installed as lighting port assembly on a series MV DN 65 using adapter flange

All dimensions in mm unless stated otherwise. Subject to change without prior notice.
Web 09.05 3755.200