

Lumiglas Stainless Steel Luminaire, Series USL13

Data sheet 06.13

- **For use with sight glass fittings**

This super-compact sight port luminaire is applicable for combination view/sight port (single flange version) or separate light and sight port (dual-flange version).

- **This powerful super-compact size luminaire is designed to give glare-free illumination with sight glass styles as follows:**

DIN 28 120, DIN 28121 or similar circular flanges, Visual Flow Indicators, as well as weld-neck style series MV to DIN 11851. Nominal sizes depending on fixture type:

- a) Circular weld-on sight glass series DIN 28 120 starting at DN 25...
- b) Circular sight glass series DIN 28120 starting at DN 40...
- c) Visual Flow Indicators
- d) Circular weld-neck series MV similar DIN 11851 starting at DN 50...

- **Application:**

Optimum for the illumination of bio-reactors, laboratory mixers, filters, boilers, tanks, agitators, separators, pipes and other sealed vessels in **locations that are not potentially explosive.**

Excellent application in the pharmaceutical and food industry

- **Protection:**

Dust and waterjet tight to IP 65 per EN 60 529/DIN VDE 0470, Part 1 and NEMA Types 4 & 4X

- **Operating conditions:**

Independent of the pressure/ vacuum inside the vessel;
Maximum allowable ambient temperature at the cable gland 90° C

Under no circumstances must the Lumiglas lamp be used for sealing purposes in a vessel port in lieu of a sight port

- **Electrical information:**

The Lumiglas lamp comes equipped with a 3 meter connecting cable

- **Operating Voltage:**

Without built-in push-button:

12 V, 24 V, 120 V... Halogen incandescent lamp, 20 W
2-pin socket G4

With built-in push-button:

12 V, 24 V, 120 V... Halogen incandescent lamp, 50 W
2-pin socket GY4 6.35

- **Transformers:**

Transformers for 12 V or 24 V secondary voltage available upon request

- **Momentary push-button:**

Momentary switches or timers are required for 50-Watt luminaires. 50-Watt luminaires should be operated only in momentary mode!

Warning! When the luminaire – whether fitted with existing or higher wattage lamp – is used in continuous ON mode, check the temperature of the luminaire, its lens glass and the light/sight glass fitting; these temperature values must not be allowed to exceed those stated in the relevant data sheet and/or separate sheet entitled "Installation and operating instructions for lumiglas luminaires".

If these values become critical, insert a momentary push button or time delay switch in the power supply to the luminaire to prevent overheating.



Stainless steel Lumiglas Luminaire USL13

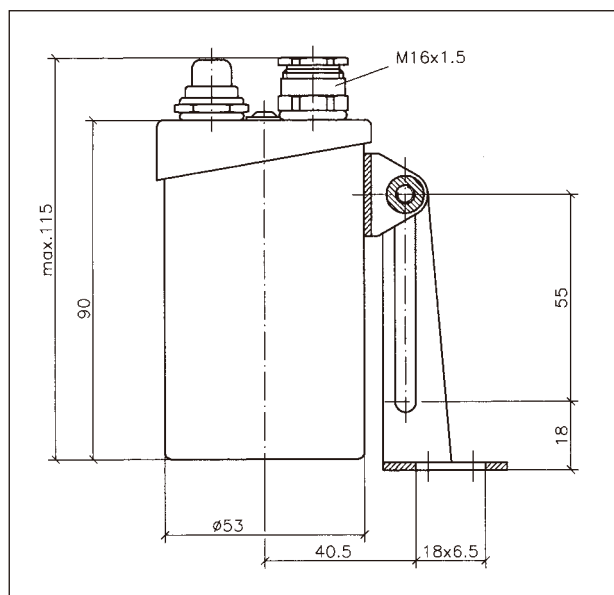


Stainless steel Lumiglas luminaire series USL13 with hinged bracket mounted onto a circular sight glass fitting series DIN 28 120

- **Mounting bracket:**

The mounting bracket for the lamp (pivoting hinge) is included. Adapter flange for mounting series MV weld-neck type sight port can be ordered separately.

• Dimensions for Lumiglas Luminaire Stainless Steel Series USL13



• Parts, Construction and Materials:

- Body and Cover: stainless steel 1.4404
- Fastenings: 1.4301 (Hinged bracket or Adapter Flange)
- Power Cable: 3 meters (3 x 0,75 mm²)
- Weight: 0,58 kg

• Connection Data

| Stainless Steel Lumiglas Luminaire USL13 | | | | | | Replacement Parts | | |
|--|--------------|-------------|-------------|----------------|-------------|-------------------|---------------|------------------------|
| Item | Series USL13 | Push Button | Part No. | Supply Voltage | Transformer | Halogen Lamp | | |
| | | | | | | Socket | Voltage/Power | Part No. ¹⁾ |
| 20 W | | | | | | | | |
| 1 | (12 V) 20 W | yes | 3540.206.00 | 12 ≈ | no | GY6.35 | 12 V/20 W | 3232.240.00 |
| 2 | (12 V) 20 W | no | 3540.207.00 | 12 ≈ | no | GY6.35 | 12 V/20 W | 3232.240.00 |
| 3 | (24 V) 20 W | yes | 3540.208.00 | 24 ≈ | no | G4 | 24 V/20 W | 3232.206.00 |
| 4 | (24 V) 20 W | no | 3540.209.00 | 24 ≈ | no | G4 | 24 V/20 W | 3232.206.00 |
| 5 | (120 V) 20 W | yes | 3540.210.00 | 120 ≈ | no | GY6.35 | 120 V/20 W | 3232.267.00 |
| 6 | (120 V) 20 W | no | 3540.211.00 | 120 ≈ | no | GY6.35 | 120 V/20 W | 3232.267.00 |
| 50 W | | | | | | | | |
| 8 | (12 V) 50 W | yes | 3540.215.00 | 12 ≈ | no | GY6.35 | 12 V/50 W | 3232.238.00 |
| 9 | (24 V) 50 W | yes | 3540.217.00 | 24 ≈ | no | GY6.35 | 24 V/50 W | 3232.242.00 |
| 10 | (120 V) 50 W | yes | 3540.219.00 | 120 ≈ | no | GY6.35 | 120 V/50 W | 3232.265.00 |
| 11 | (120 V) 50 W | no | 3540.220.00 | 120 ≈ | no | GY6.35 | 120 V/50 W | 3232.265.00 |

¹⁾ = Ordering No.

• Luminaire Mounting:

- Hinged Bracket
- Adapter Flange DN 50 Series MV
- Adapter Flange DN 65 Series MV

Part No.0527.008.00
(included)
Part No.1356.000004
(separate order)
Part No.1356.030.00
(separate order)

• Ordering information:

- e.g. Lumiglas Luminaire Stainless Steel type USL13, 24 V/20 W with push button, part No. 3540.208.00 and additionally on demand:
- Luminaire mounting „Adapter Flange“ DN 65, part No. 1356.030.00.

• Application Examples:



Installed as combined lighting-sight port assembly, using hinged bracket, fitted to circular sightglass port to DIN 28120 DN 50



Installed as lighting port assembly on a Series MV DN 65 using Adapter Flange

All dimensions in mm unless stated otherwise. Subject to change without prior notice.
WW 09.05 3755.199