


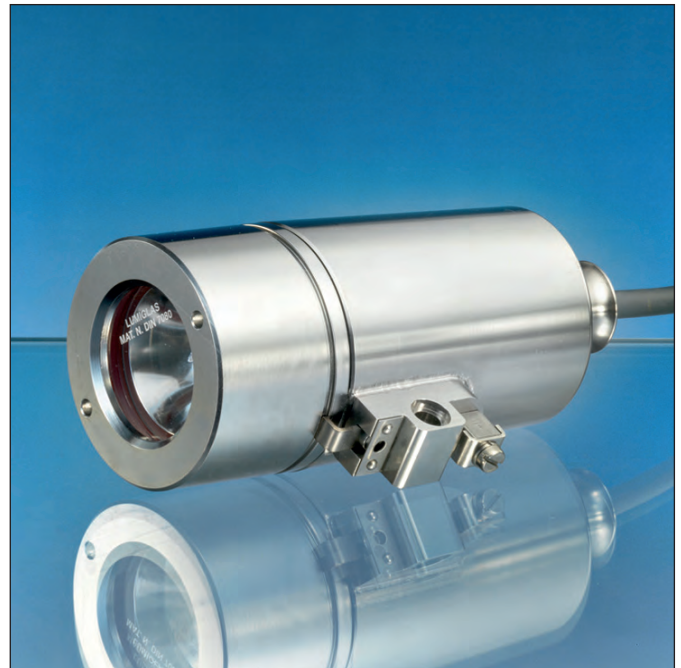
Lumiglas-Luminaire Stainless Steel ESL 25-Ex

CE 0158

Data Sheet 07.25

II 2G Ex d IIC T4/T6
II 2D Ex tD A21 IP67 T130/T80°C

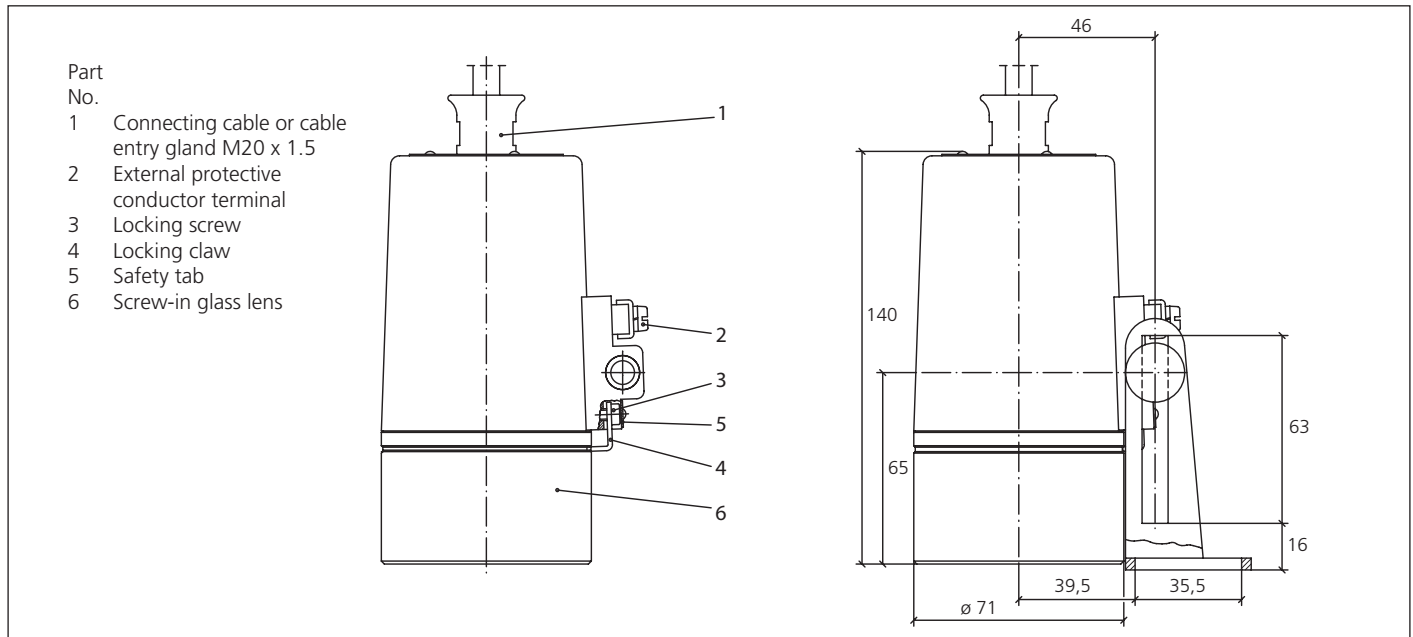
- **For mounting on sight glass fittings**
 Designed for universal applications, this Ex-type sight glass luminaire has been developed for use in potentially explosive environments. It is ideal for combined sight glass and light assemblies, either as a single-flange version or with two separate flanged ports.
- **Compact yet powerful:**
 Dazzle-free illumination, for use with circular sight glass fittings to DIN 28120/DIN 28121 or similar, with screwed sight glass units in compliance with DIN 11851, and in visual flow indicators.
- **Large light aperture and convenient lamp replacement thanks to optimised screw-in lens design.**
- **Application:** For illuminating visual flow indicators, pipelines, laboratory mixers, bioreactors as well as the interior of pressure vessels, tanks, agitators and other – normally closed – processing vessels in **potentially explosive environments**.
Gas: Zones 1 and 2; Dust: Zones 21 and 22.
- **Particularly suitable for use in sterile environments.**
- **Protection:** IP 65 und IP 67 nach DIN EN 60529
- **Operating conditions:** Independent of the internal pressure/ vacuum in vessel. Under no circumstances should a sight glass luminaire be used to replace the cover flange or the sight glass/ luminaire assembly or on its own to close a vessel port.
- **Lumiglas luminaires of this series are approved for use in ambient temperatures of up to 60°C, depending on the lamp bulb fitted.**
- **Technical data Ex protection:**
 This luminaire meets the essential safety and health requirements by complying with the regulations for
 - Gas**
 EN 60079-0: 2006 General Requirements
 EN 60079-1: 2007 Flame-proof Enclosures
 Explosion group: IIC (includes II A and II B)
 Temperature class: up to T6 (depending on wattage)
 - Dust**
 EN 61241-0: 2006 General Requirements
 EN 61241-1: 2004 Protection by Enclosures
 Temperaturklasse: T130/T80°C (depending on wattage)
- **EC type-examination certificate:** BVS 08 ATEX E 137
 II 2G Ex d IIC T4/T6
 II 2D Ex tD A21 IP67 T130/T80°C
- **Voltage type:** AC/DC, depending on lamp
- **Operating voltage:**
without integrated transformer:
 12 V... Halogen lamp 5 W, 10 W, 20 W
 24 V... Halogen lamp 20 W
with integrated transformer:
 120 V... Halogen lamp 12 V/5 W/10 W
 230 V... Halogen lamp 12 V/5 W/10 W
 5 W = PTC protection, 10 W = thermal fuse



Lumiglas luminaire in stainless steel, type ESL 25-Ex

- **Straightforward electrical connection via integrated cable tail or Ex d cable entry gland.**
 - **Electrical connection**
Connecting cable options:
 - Works-fitted cable tail (2 m standard length), resin cast into trumpet cable entry gland, heat-resistant up to 110°C.
 Other cable lengths available: 5 m, 20 m
 - Without works-fitted cable: connecting cable to fit the cable entry gland (M20 x 1.5) to be provided by operating company.
- If ambient temperatures are greater than 40°C, heat-resistant cable, e. g. Sinotherm 110 H05GG-F 3G 1.5 mm² should be used.
- **Mounting options:**
 With circular sight glass fittings and flow indicators the luminaire is secured to the cover flange by means of the hinged bracket. With screw-type sight glass units the luminaire is mounted on the slotted cover nut.
- The Lumiglas luminaire type ESL 26-Ex fits the following nominal sizes:**
- Circular sight glass fittings to DIN 28120: from DN 50
 - Circular sight glass fittings to DIN 28121: from DN 40
 - Flow indicators: from DN 50
 - Screwed sight glass units in line with DIN 11851:
 - With DN 65, mounting is by way of separate flange adapter collar
 - From DN 80 up, the hinged bracket is used.
- **For sterile applications, a version of this Lumiglas luminaire is available with a sleeve that fits over a raised lip on the cover flange.**

• **Dimensions and electrical data for stainless steel Lumiglas luminaires, type ESL 25-Ex:**



• **Components and materials:**

- Body of luminaire: Stainless steel 1.4404, polished
- Fastening components: Stainless steel 1.4301 (see 'Accessories')
- Cable entry gland: M20 x 1.5

• **Weight (without connecting cable):**

- without integrated transformer: 1.8 kg
- with integrated transformer: 2.2 kg

• **Connecting data: Temperature classification and electrical parameters (see also EC Type-Examination Certificate)**

No.	Type ESL 25-Ex Version	Part No. ESL 25-Ex with connecting cable	Part No. ESL 25-Ex/1 without con. cable	Voltage Volt	Integr. trans- former	Halogen lamp		Ambient temperature range			
						Socket	Voltage	$-20^{\circ}\text{C} \leq T_a \leq +40^{\circ}\text{C}$		$-20^{\circ}\text{C} \leq T_a \leq +60^{\circ}\text{C}$	
1	(12 V) 5 W	3540.902.00	3540.922.00	12 ≈	without	G4	12 V/5 W	2G T6	2D T80°C	-	-
2	(120 V/12 V) 5 W	3540.904.00	-	120 ~	with	G4	12 V/5 W	2G T6	2D T80°C	-	-
3	(230 V/12 V) 5 W	3540.906.00	-	230 ~	with	G4	12 V/5 W	2G T6	2D T80°C	-	-
4	(12 V) 10 W	3540.907.00	3540.927.00	12 ≈	without	G4	12 V/10 W	2G T4	2D T130°C	2G T4	2D T130°C
5	(120 V/12 V) 10 W	3540.908.00	-	120 ~	with	G4	12 V/10 W	2G T4	2D T130°C	2G T4	2D T130°C
6	(230 V/12 V) 10 W	3540.910.00	-	230 ~	with	G4	12 V/10 W	2G T4	2D T130°C	2G T4	2D T130°C
7	Cold-light (12 V) 20 W	3540.912.00	3540.932.00	12 ≈	without	GU4	12 V/20 W	2G T4	2D T130°C	-	-
8	(12 V) 20 W	3540.914.00	3540.934.00	12 ≈	without	G4	12 V/20 W	2G T4	2D T130°C	-	-
9	(24 V) 20 W	3540.916.00	3540.936.00	24 ≈	without	G4	24 V/20 W	2G T4	2D T130°C	-	-

• **Zusatzausstattung:**

No.	Component	Part No.
1	Hinged bracket mounting for luminaire	0354.019.00
2	Flanged adapter collar mounting for luminaire	1356.010.00
3	Mounting for sterile applications for luminaire without integrated reflector	1774.050.00
4	Mounting for sterile applications for luminaire with integrated reflector	1774.051.00
5	Peg spanner for screw-in lens	6816.001.00
6	Timer module, ex version	see data sheet 09.02
7	Connecting cable	on request

• **Order data:** e. g.

- Lumiglas luminaire ESL 25-Ex (230 V/12 V) 5 W, Ex d IIC T6 with 2 m connecting cable, Part No. 3540.906.00
- Lumiglas luminaire ESL 25-Ex/1 (24 V) 20 W, Ex d IIC T4 without connecting cable, Part No. 3540.936.00.

All dimensions in mm unless stated otherwise. Subject to change without prior notice.
WW 12.09 3755.194