

Lumiglas luminaires, stainless steel series ESL26

Data sheet 06.26

- **For mounting on sight glass units:**

The product is a universally applicable sight glass luminaire, suitable for use as combined sight and light glass (single port arrangement) or with separate flanged ports.

- **Compact, high light output:**

dazzle free illumination; for use with circular fittings to DIN 28120, 28121 or similar as well as screwed sight glass fittings to DIN 11851 and flow indicators. Nominal sizes DN 50 upwards

- **Large light exit thanks to optimised screwed lens ring design**

- **Application:**

For illumination of internals of tanks, hoppers, silos, stirred reactors and other normally closed vessels and reactors as well as flow indicators in **non explosion hazardous** processing areas.

- **Suitable for use in food processing plants**

- **Protection:**

Dust and water jet tight, IP65 to En 60529/DIN VDE 0470 part 1

- **Operating conditions:**

Independent of vessel internal pressure/vacuum.
Max. permissible ambient temperature at the cable entry 80° C.
With ambient temperature > 40° C, use a heat resistant cable e. g. 4GMH4G- J3 x 1.5 mm².
On no account may a sight glass luminaire be used to replace a cover flange or a complete flange assembly, or in any way as a lid to cover a vessel opening.

- **Electrical data and components:**

- **power supply:** AC or DC, depending on luminaire model

- **supply voltage:**

excluding integral transformer

12 V... Halogen filament lamp 20, 35 or 50 W
24 V... Halogen filament lamp 20, 50 or 100 W
230 V... Halogen filament lamp 40, 50 W or 75 W

including integral transformer, PTC-protected

230 V... Halogen filament lamp 12 V/20 W
240 V... Halogen filament lamp 12 V/20 W
120 V... Halogen filament lamp 12 V/20 W

- **Filament lamp socket:** See separate table on second page

- **Transformers:**

Transformers for 12 V/24 V secondary voltage can be supplied on request.

- **Mounting instructions:** See third page

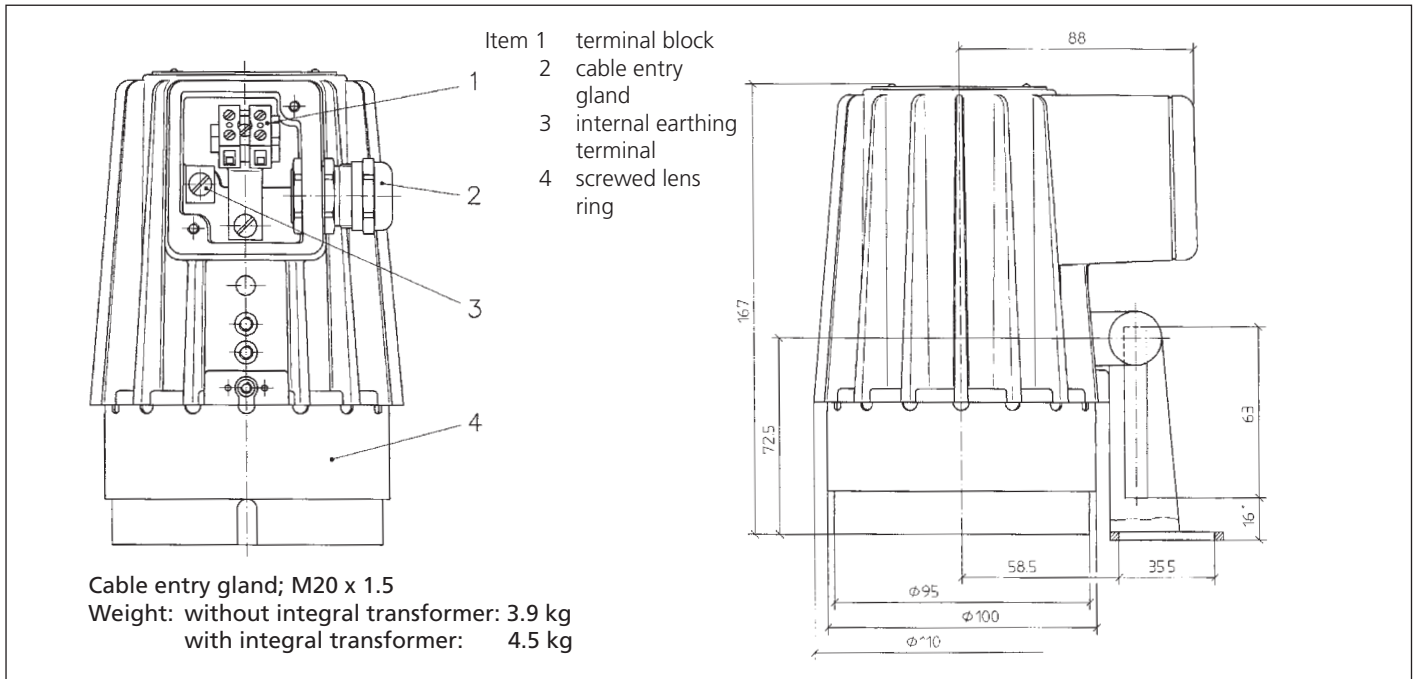
- **Accessories:**

- mounting parts, stainless steel hinged bracket or flanged adapter collar
- lens ring claw spanner for opening luminaire
- 'Lumiglas-Timer' built in time delay module, 5 minute ON mode
- time delay unit, separate enclosure, for timed illumination
- connecting cable



Lumiglas luminaire stainless steel ESL26
with integrated terminal box and hinged bracket fastening

• **Dimensions and electrical data for stainless steel Lumiglas luminaries series ESL26 with integral terminal box:**



• **Parts, materials and finish:**

- Luminaire body: stainless steel 1.4404 (316LF), polished
- Mounting parts: see under 'Accessories'

• **Connecting data:**

Item	Model ESL26	Part no.	supply V	integral transformer	Halogen filament lamp		
					Voltage	Socket	Part no.
1	(12 V) 20 W	3540.851.00	12 ≈	without	12 V/20 W	GY6.35	3232.240.00
2	(24 V) 20 W	3540.853.00	24 ≈	without	24 V/20 W	G4	3232.206.00
3	(24 V) 20 W reflector bulb	3540.854.00	24 ≈	without	24 V/20 W	G4	3232.222.00
4	(120 V/12 V) 20 W	3540.858.00	120 ~	with	12 V/20 W	GY6.35	3232.240.00
5	(230 V/12 V) 20 W	3540.860.00	230 ~	with	12 V/20 W	GY6.35	3232.240.00
6	(240 V/12 V) 20 W	3540.861.00	240 ~	with	12 V/20 W	GY6.35	3232.240.00
7	(12 V) 35 W	3540.866.00	12 ≈	without	12 V/35 W	GY6.35	3232.232.00
8	(230 V) 40 W	3540.871.00	230 ≈	without	230 V/40 W PAR 16	E14	3232.256.00
9	(12 V) 50 W	3540.876.00	12 ≈	without	12 V/50 W	GY6.35	3232.238.00
10	(24 V) 50 W	3540.881.00	24 ≈	without	24 V/50 W	GY6.35	3232.242.00
11	(230 V) 50 W	3540.885.00	230 ≈	without	230 V/50 W HISPOT ESD50	GZ10	3232.261.00
12	(230 V) 50 W	3540.886.00	230 ≈	without	230 V/50 W PAR 20	E27	3232.241.00
13	(230 V) 75 W	3540.888.00	230 ≈	without	230 V/75 W HISPOT ESD50	GZ10	3232.263.00
14	(24 V) 100 W	3540.895.00	24 ≈	without	24 V/100 W	GY6.35	3232.244.00

• **Ordering information:**

e. g. Lumiglas luminaire model ESL26, 230 V/12 V, 20 W (if luminaire is to have 'Flood' reflector, please advise).

• **Mounting instructions:**

Simple mounting using specially designed bracket for practical use:

Prior to installation please check the leaflet entitled 'Important guidelines for use of sight glass fittings'.
With circular sight glass units and flow indicators, the luminaire is fixed to the cover flange using the hinged bracket.
With screwed sight glass units the luminaire is fixed to the slotted cover nut.

Lumiglas luminaire model ESL26 fits the following nominal sizes upwards:

- a) circular sight glass units to DIN 28120: DN 50...
- b) circular sight glass units to DIN 28121: DN 50...
- c) flow indicator: DN 50
- d) screwed sight glass units similar to DIN 11851:
 - with DN 65, 80, 100: adapter flange mounting
 - with DN 80, 100, 125: hinged bracket mounting
 - with DN 80 and 100: either hinged bracket or adapter flange mounting

Hinged bracket mounting:

The hinged bracket is located on the bolt circle using the 'M 8' screw. Supplied or it can be welded onto the flange face.

Adapter flange mounting:

The adapter flange is welded or screwed onto the slotted cover nut (DIN 11851).

• **Problem free electrical connection via integral terminal box:**

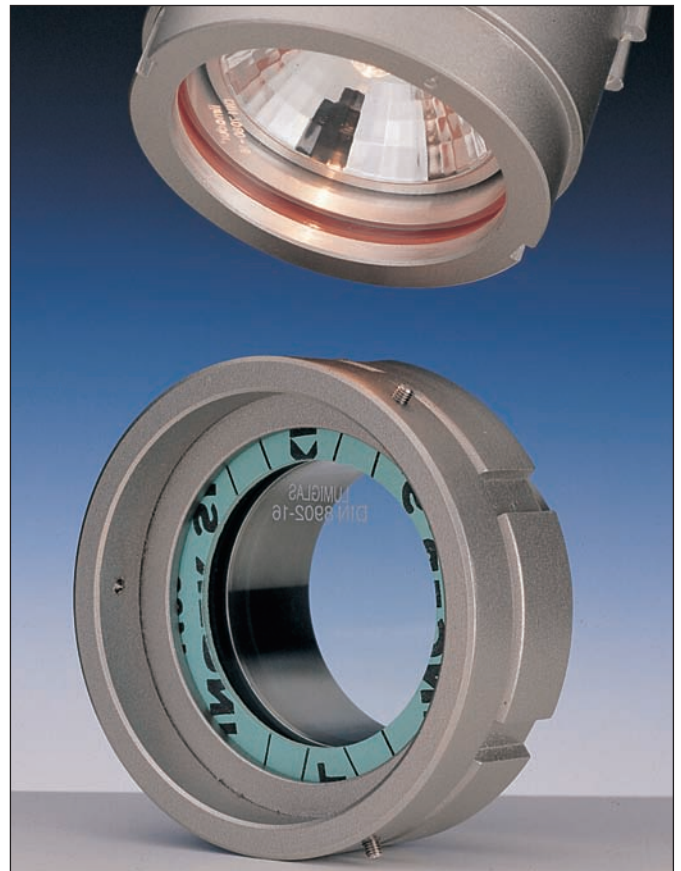
- remove lid from terminal box
- match cable diameter to cable entry gland (2) aperture
- loosen cable entry gland (2)
- pass cable through entry (2) and connect cores to terminals
- tighten cable entry gland (2)
- fit terminal box lid gasket
- close terminal box

• **Ideal filament lamp exchange using screwed lens ring:**

- switch off power to luminaire
- unscrew lens ring (4) using only the claw spanner
- remove defective lamp by pulling out (2pin) or unscrewing (E27/E14 GZ 10)
- fit new lamp, gripping lamp with protective cloth, carefully locating in 2 pin socket and pushing or screwing fully home
- refit and tighten screwed lens ring (4) until O ring is compressed
- switch power back on



Application as a combination of sight and light glass mounted onto a circular sight glass fitting DIN 28120 (with hinged bracket)



• Accessories and replacement parts for Lumiglas luminaire ESL26:

Description	Part no.
Luminaire mounting (hinged bracket)	0354.016.00
Luminaire mounting (adapter flange)	1356.015.00
Lumiglas timer	works fitted
Screwed lens ring (light outlet) <i>without reflector</i>	1774.055.00
Screwed lens ring (light outlet) <i>with reflector</i>	1774.056.00
Reflector, spot	5904.047.00
Reflector, flood	5904.048.00
O ring gasket (viton)	0862.039.00

Description	Part no.
Claw spanner (for lens ring)	6805.001.00
Lamp socket, G4 (2 pin)	1202.011.00
Lamp socket GY6.35 (2 pin)	1202.012.00
Lamp socket, GZ 10	1202.024.00
Lamp socket E27	1202.019.00
Lamp socket E14	1202.022.00
Flat gasket (for terminal box lid)	0854.038.00
Cable entry gland (M20 x 1.5)	9103.106.00

All dimensions in mm unless stated otherwise. Subject to change without prior notice.
 Ric 01.08 3755.153