

Installation and operating instructions for Lumiglas luminaires

UL-listed Lumiglas luminaire stainless steel series USL33-UL

• Important note:

Sightglass luminaires are specifically and solely designed for mounting on top or side of sightglass units. Never use a luminaire in place of cover flange or complete sightglass unit to provide a closure for an opening in a process vessel. Luminaires which are to be used in Ex areas may only be installed and serviced by personnel duly qualified and authorised to do so.

• Operating conditions – general:

- Independent of vessel internal pressure/vacuum.
- Max. permissible ambient temperature at cable entry gland 90° C.
- 50 W powered versions of the luminaires may only be used with non maintained push button switches.
- **Warning!** When the luminaire – whether fitted with existing or higher wattage lamp – is used in continuous ON mode, check the temperature of the luminaire, its lens glass and the light/sightglass fitting; these temperature values must not be allowed to exceed those stated in the relevant data sheet and/or separate sheet entitled 'Installation and operating instructions for Lumiglas luminaires'. If these values become critical, insert a momentary push button or time delay switch in the power supply to the luminaire to prevent overheating.

• Electrical data – general:

- Voltage, power and protection are shown on identity plate.
- **Caution:** Excessive voltage will shorten lamp life.

• Installation – mechanical:

The Lumiglas luminaire model USL33-UL fits sightglasses as following:

The Luminaire fits over and is secured to a special circular male spigot or upstand on the cover flange of the sight-glass. An O ring provides the seal to the sightglass.

A popular alternative is to mount the lumiglas unit by means of an adapted clamp joint to DIN 32676/ISO 2852 standard. The tapered mating flange to the nozzle clamp flange comprises a specially machined ring with a sightglass fused concentrically into the metal and an upstand with O ring groove on its outer surface. The extended and reinforced lip of the luminaire USL33-UL forms a sleeve which fits over the upstand, the O ring providing the seal to the clamp flange. Tightening the clamp then provides the closing pressure, sealing the fused metal-glass flange to the nozzle.

• Servicing:

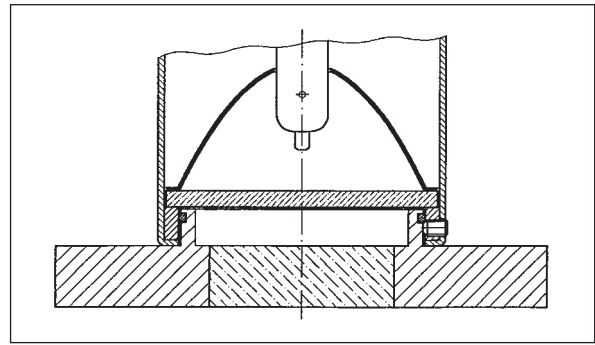
- Keep luminaire clean!
- Allow for mean lamp life!
- Use only original replacement parts!

• Electrical connection:

- Connecting cable (3 m) comes ready connected to the luminaire via cable entry gland.
- The unit is internally wired ready for operation.

• Lamp exchange:

- Caution: check body temperature before opening.
- Switch of power to luminaire.
- Loosen both screws in luminaire back plate.
- Lift off back plate complete with attached lamp socket and defective lamp.
- Pull out defective lamp.
- Gripping new lamp with its protective material, insert carefully into 2 pin or Ba 15d socket and push in firmly.
- Refit back plate complete with new lamp in socket, checking location of cabling and tighten securing screws.
- Switch on power.
- **Caution:** Only use lamps of identical type and power.



• Replacement parts and ordering information:

	Component Halogen filament lamp	
Lamp Socket	Voltage/ Power	Part No.
G6.35	24 V/50 W	3232.242.00
Ba15d	120 V/50 W	3232.275.00

Component	Part No.
Push button	6412.016.00
Dust cap for push button	2330.014.00
Reflector for 24 V/50 W	5904.025.00
Reflector for 120 V/50 W	5904.054.00
Gasket 53,5 x 1,5 mm 80 Shore, Viton (backplate to body)	0853.009.00
Lamp socket Ba15d	1202.013.00
Lamp socket 2-pin G6.35 (UL)	1202.025.00

All dimensions in mm unless stated otherwise. Subject to change without prior notice.
Min 02.07 0093.044.96

Installation and operating instructions for Lumiglas luminaires

UL-listed Lumiglas luminaire stainless steel series USL35-UL

• Important note:

Sightglass luminaires are specifically and solely designed for mounting on top or side of sightglass units. Never use a luminaire in place of cover flange or complete sightglass unit to provide a closure for an opening in a process vessel. Luminaires which are to be used in Ex areas may only be installed and serviced by personnel duly qualified and authorised to do so.

• Operating conditions – general:

- Independent of vessel internal pressure/vacuum.
- Max. permissible ambient temperature at cable entry gland 90° C.
- 50 W powered versions of the luminaires may only be used with non maintained push button switches.
- **Warning!** When the luminaire - whether fitted with existing or higher wattage lamp - is used in continuous ON mode, check the temperature of the luminaire, its lens glass and the light/sight glass fitting; these temperature values must not be allowed to exceed those stated in the relevant data sheet and/or separate sheet entitled "Installation and operating instructions for lumiglas luminaires".
If these values become critical, insert a momentary push button or time delay switch in the power supply to the luminaire to prevent overheating.

• Electrical data – general:

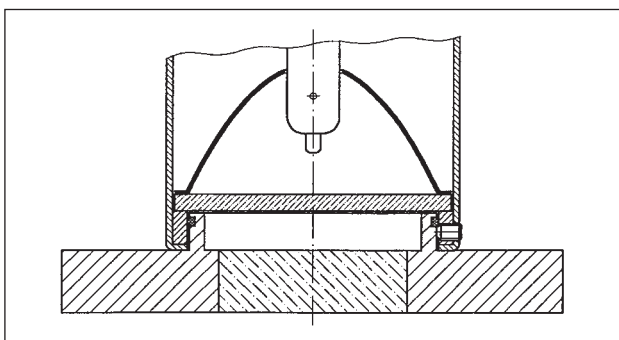
- Voltage, power and protection are shown on identity plate.
- **Caution:** Excessive voltage will shorten lamplife.

• Installation - mechanical:

The Lumiglas luminaire model USL35-UL fits sightglasses as following:

The Luminaire fits over and is secured to a special circular male spigot or upstand on the cover flange of the sight-glass. An O ring provides the seal to the sightglass.

A popular alternative is to mount the lumiglas unit by means of an adapted clamp joint to DIN 32676/ISO 2852 standard. The tapered mating flange to the nozzle clamp flange comprises a specially machined ring with a sightglass fused concentrically into the metal and an upstand with O ring groove on its outer surface. The extended and reinforced lip of the luminaire USL35-UL forms a sleeve which fits over the upstand, the O ring providing the seal to the clamp flange. Tightening the clamp then provides the closing pressure, sealing the fused metal-glass flange to the nozzle.



• Electrical connection:

- Connecting cable (3 m) comes ready connected to the luminaire via cable entry gland.
- The unit is internally wired ready for operation.

• Lamp exchange:

- Caution: check body temperature before opening.
- Switch of power to luminaire.
- Loosen both screws in luminaire back plate.
- Lift off back plate complete with attached lampsocket and defective lamp.
- Pull out defective lamp.
- Gripping new lamp with its protective material, insert carefully into 2 pin or Ba 15d socket and push in firmly.
- Refit back plate complete with new lamp in socket, checking location of cabling and tighten securing crews.
- Switch on power.
- **Caution:** only use lamps of identical type and power.

• Replacement parts and ordering information:

	Component Halogen filament lamp	
Lamp Socket	Voltage/ Power	Part No.
GY 6.35	24 V/50 W	3232.242.00
Ba 15d	120 V/50 W	3232.275.00
GY 6.35	24 V/100 W	3232.244.00
Ba 15d	120 V/100 W	3232.272.00

Component	Part No.
Push button	6412.016.00
Dust cap for push button	2330.014.00
Reflector	5904.058.00
Gasket 70,5 x 1,5 mm 80 Shore, Viton (backplate to body)	0853.0010.00
Lamp socket Ba 15d	1202.013.00
Lamp socket (UL) 2-pin G 6.35	1202.025.00

• Servicing:

- Keep luminaire clean!
- Allow for mean lamp life!
- Use only original replacement parts!

All dimensions in mm unless stated otherwise. Subject to change without prior notice.

Ric 12.07 0093.045.96