

Installation and Operating Instructions for Lumiglas Luminaires

Lumiglas Luminaire Stainless Steel model ESL25

• **Important note:**

Sightglass luminaires are specifically and solely designed for mounting on top or side of sightglass units. Never use a luminaire in place of cover flange or complete sightglass unit to provide a closure for an opening in a process vessel. On no account may the luminaire be used as a closure/ means of sealing of a (pressure) vessel i. e. without a suitable sightglass fitting.

• **Operating conditions – general:**

- Independent of vessel internal pressure/vacuum.
- Max. ambient temperatures at cable entry gland: 80° C. At ambient temperatures > 40° C, high temperature cable must be used, e. g. Sinotherm 110 H05GG-F 3G 1,5 mm².
- Protection: Dust- and waterjet tight IP 65 to EN 60529/DIN VDE 0470 part 1.

• **Caution:** Luminaires with integral transformer may be operated on only AC supply!

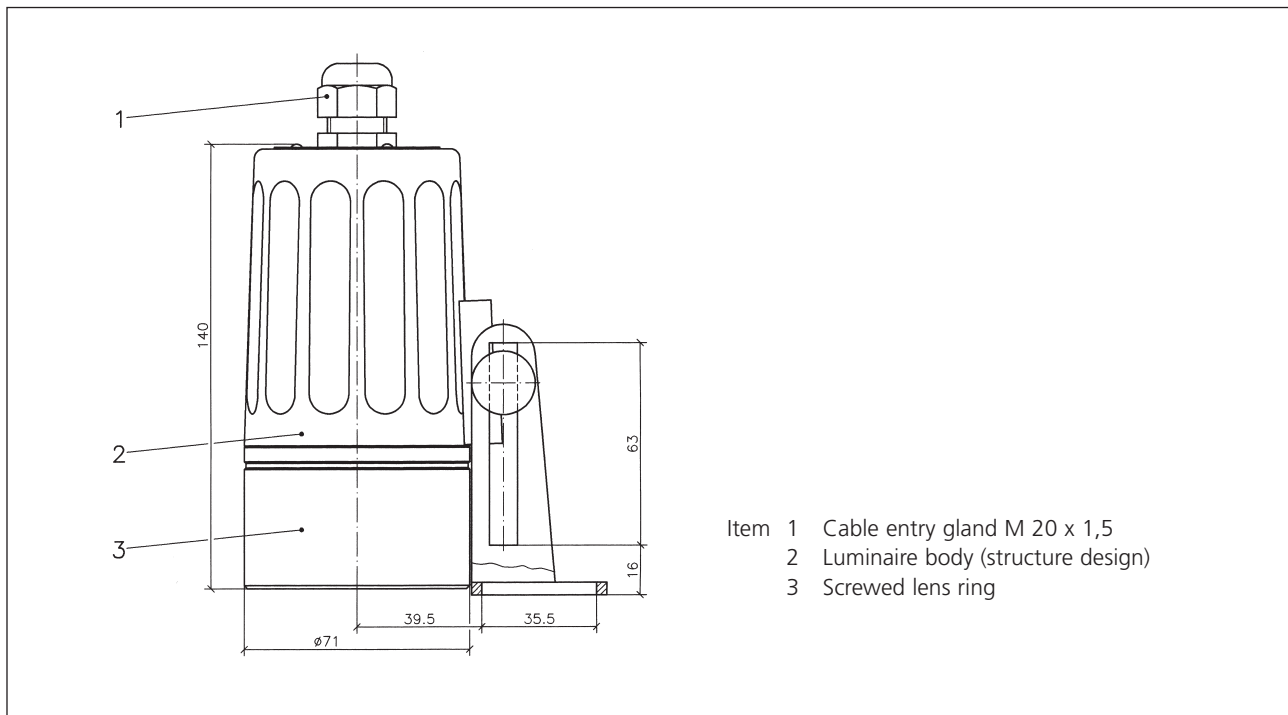
• **Caution:** Excessive voltage will shorten lamp life.

• **Electrical connection:**

- The flared cable entry is designed for use with non armoured cable and utilizes the resilient outer coating of the cable to make the seal.
- Select a suitable cable to suit operating conditions and a cable diameter to match entry gland (M 20 x 1,5): where ambient temperature > 40° C, heat resistant cable must be used (1).
- Using correct tool, loosen and unscrew lens ring unit (3) – see 'Lamp exchange'.
- Loosen cable gland (1).
- Pass cable through gland (1) into lamp body and secure cores to terminals.
- Tighten gland (1).
- Refit and tighten lens ring unit (3) until firm seal is made – see 'Lamp exchange'.

• **Lamp exchange:**

- Switch off power.
- Using correct tool (lens ring pag spanner), unscrew lens ring (3).
- Pull out defective (2 pin) lamp.
- Holding new lamp (use only recommended parts) with its protective material, insert carefully into 2 pin socket and push in firmly.
- Replace and tighten lens ring (3) until seal is made (O ring squeezed).
- Switch on power.



• **Mechanical installation:**

The Lumiglas luminaire model ESL25 fits the following nominal sizes of sightglass:

Type of fitting	from DN	Hinged bracket	Flanged ad. collar
Circular sightglass fitting DIN 28120 DIN 28121	25	yes	no
	40	yes	no
Flow indicator	50	yes	no
Screwed sightglass fitting DIN 11851	65	no	yes
	80	yes	no
	100	yes	no
	125	yes	no

• **Mounting with hinged bracket:**

The hinged bracket serves to secure the luminaire to the cover flange of a circular sightglass unit (also of a flow indicator) or the slotted cover nut of screwed sightglass similar to DIN 11851.

The bracket is fixed using the M8 screw supplied and a blind hole drilled and tapped on the bolt pitch circle of the cover flange face. Alternatively the bracket can be welded on.

• **Mounting with flanged adapter collar:**

The adapter fits between glass disc and the slotted cover nut (DIN 11851):

- Place gasket provided between glass face and adapter collar.
- Tighten slotted cover nut.
- Slide luminaire into adapter sleeve and tighten radially located grub screws.

- **Note:** The version of the Lumiglas luminaire for use in sterile technology is seated firmly in a specially formed lip in the cover flange, sealed and clamped to the light by means of an 'O'ring.

- **Note:** Mounting bracket, peg spanner etc. – if not available – should be ordered separately.

• **Servicing:**

- Keep luminaire clean!
- After opening luminaire, lightly grease the lens ring (3) thread (e. g. with AEMA-SOL 6 B, made by A. E. Matthes).
- Allow for average lamp life span!
- Use only original replacements parts!

• **Replacement parts:**

Item	Description	Part No.
1	Hinged bracket	0354.019.00
2	Adapter flange	1356.010.00
3	Lens ring / claw spanner	6816.001.00
4	Lens ring unit (light outlet with reflector)	1774.063.00
5	Lens ring unit (light outlet without reflector)	1774.062.00
6	O ring seal (Viton)	0862.073.00
7	Lamp socket G 4	1202.011.00
8	Lamp socket GU 4	1202.023.00
9	Lamp socket GY 6.35	1202.012.00
10	Cable entry gland M 20 x 1,5	9103.101.00
11	Halogen filament lamp 12 V, 5 W	3232.224.00
12	Halogen filament lamp 12 V, 10 W	3232.221.00
13	Halogen filament lamp 12 V, 20 W	3232.229.00
14	Halogen filament lamp (cold light) 12 V, 20 W	3232.221.00
15	Halogen filament lamp 24 V, 20 W	3232.222.00
16	Halogen filament lamp 120 V, 20 W	3232.267.00
17	Halogen filament lamp (cold light) 12 V, 35 W	3232.232.00
18	Halogen filament lamp (cold light) 12 V, 50 W	3232.238.00
19	Halogen filament lamp (cold light) 24 V, 50 W	3232.242.00
20	Halogen filament lamp (cold light) 120 V, 50 W	3232.265.00

All dimensions in mm unless stated otherwise. Subject to change without prior notice.
Min 06.07 0093.080.96