

Lumistar Luminaire SLM in high quality cast aluminium alloy version

- **for use coupled with screwed sight glass fittings**
For the combination of sight and light port, suited to circular screwed sight glass fittings to DIN 11851 or similar, DN 65 to DN 125
- **Application:**
For the internal illumination of bio-reactors, laboratory mixers, filters, as well as internals of pressure vessels, storage tanks, stirred vessels, pipelines and other normally enclosed systems in **non explosion hazardous areas**. Particularly suitable for pharmaceutical and food processing industries, e. g. breweries, dairies etc.
- **Protection:**
When correctly fitted, dust and water jet proof to IP 65 and EN 60 529 / DIN VDE 0470 part 1
- **Operating conditions:**
Independent of internal vessel pressure/vacuum; max. permissible ambient temperature measured at cable entry gland, 80°C. When ambient temperature > 40°C heat resistant cable e. g. Sinothem 110 H05GG-F 3G 1.5 mm² must be used. For LED version the max. permissible ambient temperature is 40°C.
- **Electrical data:**
Power supply 24 V (12 V is optionally available)
Lamp 2 pin Halogen filament lamp
depending on model 20 W, 50 W or 100 W or 2 W LED
- **Lamp holder:** 2 pin socket
- **Transformers:** Can be supplied as special accessory
- **Integral switch:** The luminaires are all fitted with integral push button switch as standard
- **Mechanical installation:**
 - Caution: Do not look into light – danger of impaired eyesight!
 - Remove slotted cover nut from sight glass unit
 - Pass cover nut over luminaire body
 - Check that glass disc correctly seated in fitting
 - Place cover nut with luminaire over weld nozzle and tighten nut
- **Caution:** Only after mechanical installation can electrical connection be made.
- **Important note to installation:**
If luminaire SLM is to be fitted to an existing screwed sight port, a matching slotted cover nut should be ordered with the luminaire or the existing cover nut modified to suit. Dimensions please see table.
- **Electrical connection:**
 - Select correct cable to suit operating conditions
 - Cable diameter must suit cable entry gland
 - Loosen lamp box cover screws and remove cover
 - Pass cable through gland and wire to terminals
 - Tighten gland
 - Fit undamaged gasket to lid and tighten screws

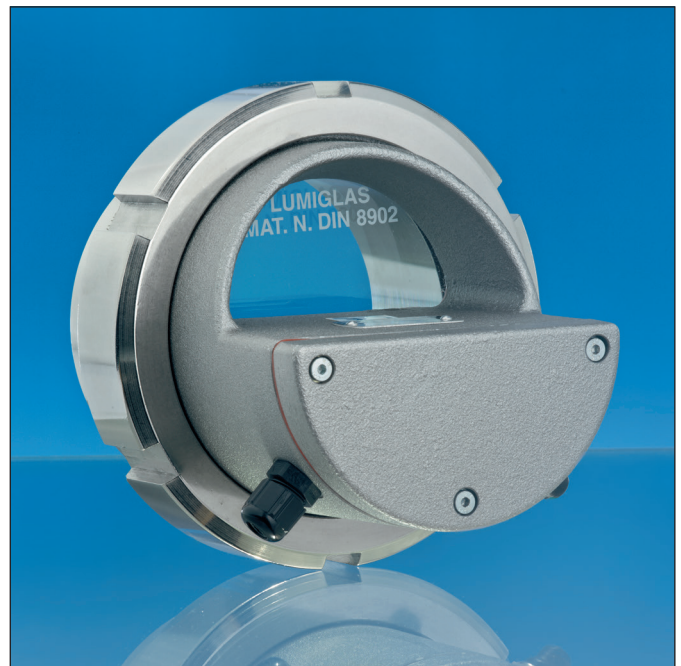
CE

also available
in LED-technology

3755.174 e

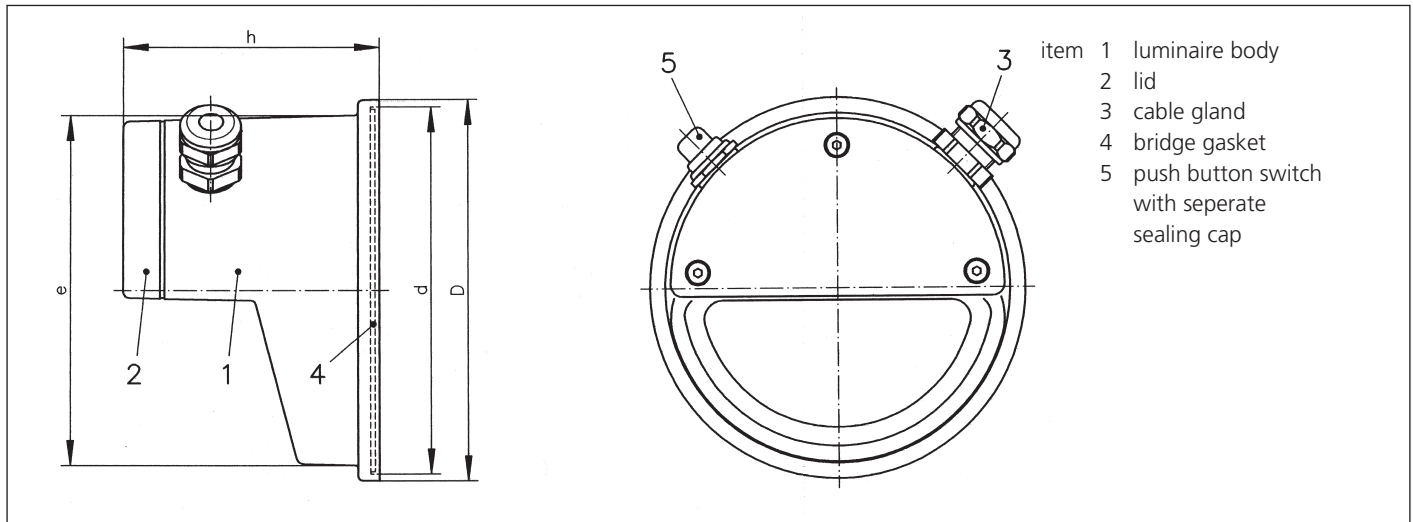


Fully equipped Lumistar luminaire SLM



Lumistar luminaire SLM built in a screwed sight glass fitting

• **Dimensions and electrical data for Lumistar luminaire SLM:**



- item 1 luminaire body
 2 lid
 3 cable gland
 4 bridge gasket
 5 push button switch with separate sealing cap

• **Parts construction and materials:**

- Luminaire of corrosion resistant die cast aluminium alloy, painted RAL 9007 (also available in stainless steel: Lumistar luminaire ME)
- Suitable for use in food processing
- Luminaire lid (2) with resilient gasket screws onto luminaire body (1) (terminal box)
- Push button switch (non maintained for short period operation) with sealing cap (5) is fitted as standard
- Electrical connection via cable gland (3) to internal terminals 2.5 mm²

• **Ordering Information:** e.g. Lumistar luminaire SLM 80/24 V, 20 W, part no. 4005.438.00

Size		1	2	3	4
Lumistar luminaire	Type	SLM 65	SLM 80	SLM 100*	SLM 125*
Compatible with screwed sight glass fittings to DIN 11851 or similar	DN	65	80	100	125
Voltage	V	24 ≈	24 ≈	24 ≈	24 ≈
Wattage	W	20	20	50	50 oder 100
Dimensions	D	90	102	123	151.5
	d	84	96	118.5	146.5
	e	78	92	113	136
	h	66	76	83	89
Slotted nut opening to DIN 11851		80	94	115	138
Weight approx.	kg	0.325	0.425	0.720	0.850
Part no.		4005.321.00	4005.438.00	4005.439.00	4005.440.00

*LED-Variant available

• **Combination:** Lumistar luminaire SLM 125 can be combined with sight glass wiper SW I

• **Lamp exchange:**

Attention: Check temperature and pressure before loosening cover nut and lifting off luminaire!

a) Port assembly not under pressure

- Switch off power to luminaire
- Loosen slotted cover nut and lift off luminaire from assembly
- Withdraw defective lamp
- Gripping new lamp with protective material, locate carefully in 2 pin socket and push firmly home
- Refit and tighten luminaire and cover nut
- Switch power on

b) Port under operating pressure

- Switch off power to luminaire
- Unscrew lid (2) and loosen lamp holder fitted in terminal box section luminaire of body (1)
- Withdraw lamp holder complete with defective lamp
- Change lamp as described under a)
- Refit holder with lamp in luminaire body
- Replace lid with seal and tighten

All dimensions in mm unless stated otherwise. Subject to change without prior notice 03.17