

Installation and Operating Instructions

Lumistar Luminaire USL 35-UL, Stainless Steel, UL-listed

Important note:

Sight glass luminaires are specifically and solely designed for mounting on top or side of sight glass units. Never use a luminaire in place of cover flange or complete sight glass unit to provide a closure for an opening in a process vessel. Luminaires for use in potentially explosive environments must be mounted, installed and serviced by staff who have the relevant qualifications and have been properly trained for this type of work.

Operating conditions – general:

- Independent of vessel internal pressure/vacuum.
 - Max. permissible ambient temperature at cable entry gland 90°C.
 - 50 W powered versions of the luminaires may only be used with push button switches!
 - **Warning!** When the luminaire – whether fitted with existing or higher wattage lamp – is used in continuous ON mode, check the temperature of the luminaire, its lens glass and the light/sight glass fitting; these temperature values must not be allowed to exceed those stated in the relevant data sheet and/or separate sheet entitled "Installation and operating instructions for Lumistar luminaires".
- If these values become critical, insert a momentary push button or time delay switch in the power supply to the luminaire to prevent overheating.

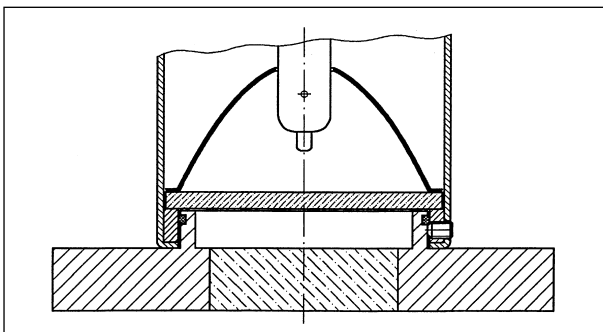
Electrical data – general:

- Voltage, power and protection are shown on identity plate.
- **Caution:** Excessive voltage will shorten lamp life.

Installation – mechanical:

The Lumistar luminaire USL 35-UL fits sight glasses as following: The Luminaire fits over and is secured to a special circular male spigot or upstand on the cover flange of the sight glass. An O ring provides the seal to the sight glass.

A popular alternative is to mount the lumiglas unit by means of an adapted clamp joint to DIN 32676/ISO 2852 standard. The tapered mating flange to the nozzle clamp flange comprises a specially machined ring with a sight glass fused concentrically into the metal and an upstand with O ring groove on its outer surface. The extended and reinforced lip of the luminaire USL 35-UL forms a sleeve which fits over the upstand, the O ring providing the seal to the clamp flange. Tightening the clamp then provides the closing pressure, sealing the fused metal-glass flange to the nozzle.



Electrical connection:

- Connecting cable (3 m) comes ready connected to the luminaire via the cable entry gland.
- The unit is internally wired ready for operation.

Lamp exchange:

- Switch off power to luminaire.
- Loosen both screws in luminaire back plate.
- Lift off back plate complete with attached lampsocket and defective lamp.
- Pull out defective lamp.
- Gripping new lamp with its protective material, insert carefully into 2 pin or Ba 15d socket and push in firmly.
- Refit back plate complete with new lamp in socket, checking location of cabling and tighten securing crews.
- Switch on power.

Caution:

- Do not look into light – Danger of impaired eyesight!
- Check the body temperature before opening.
- Only use lamps of identical type and power!
- To reduce the risk of fire do not use a lamp identified for use in enclosed luminaires.

Replacement parts and ordering information:

Halogen filament lamp			
Lamp Socket	Voltage/ Power	Part No.	Manufacturer
GY 6.35	24 V/50 W	3232.242.00	Osram
Ba 15d	120 V/50 W	3232.275.00	Hikari
GY 6.35	24 V/100 W	3232.244.00	Osram
Ba 15d	120 V/100 W	3232.272.00	Philips

Component	Part No.
Push button	6412.016.00
Dust cap for push button	2330.014.00
Reflector	5904.058.00
Gasket 70.5 x 1.5 mm 80 Shore, Viton (backplate to body)	0853.010.00
Lamp socket Ba 15d	1202.013.00
Lamp socket (UL) 2-pin G 6.35	1202.025.00

Installation instructions:

- To reduce the risk of fire or injury to persons do not use a lamp identified for use in enclosed luminaires without a housing.
- Save these instructions carefully.
- Note the nameplate for power supply and wattage.

Servicing:

- Keep luminaire clean and free of dust.
- Keep note of average lamp life.
- Use only original replacement parts.